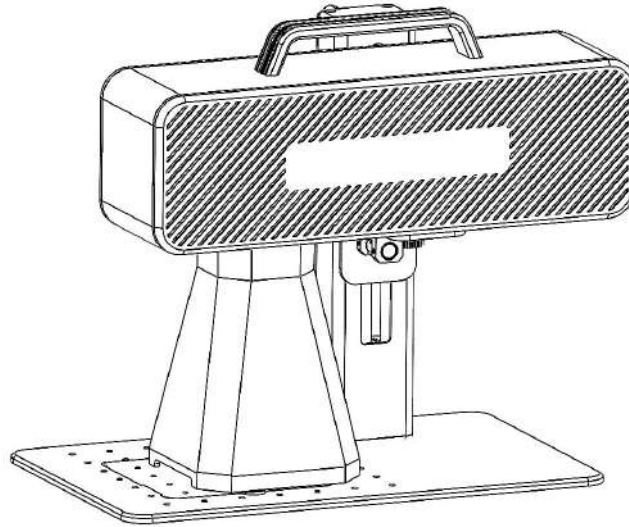


# ATOMSTACK M4 Laser Marking Machine



Note: The picture is for reference only, the actual product shall prevail.

For more information, please scan the QR code.

- English
- Deutsch
- Français
- Italiano
- Español

F03-0078-0AA1 Version: A



Laser Marking Machine

# Part 1: Security Statement Before Installation

**Before using the laser marking machine, please read this safety guide carefully, it mentions situations that require special attention and includes warnings of unsafe practices that can cause damage to your property or even endanger your personal safety.**

**PM**he product belongs to Class 4 laser products, the laser system itself must meet the requirements of IEC 60825-1 latest version, otherwise the product is prohibited to be used.

**QM**When handling the product, you must wear appropriate goggles to protect eyes from laser light including reflected and stray light.

**RM**Because cutting burns off the substrate, a high-intensity laser beam generates extremely high temperatures and a lot of heat. Certain materials can catch fire during cutting, creating gases and fumes inside the equipment. A small flame usually appears here when a laser beam hits the material. It will move with the laser and will not stay lit when the laser passes by. Do not leave the machine unattended during the marking process. After use, be sure to clean up the debris, debris and flammable materials in the marking machine. Always keep an available fire extinguisher nearby to ensure safety. When laser marking machines are used, smoke, vapour, particles, and potentially highly toxic materials (plastics and other combustible materials) are produced from the material. These fumes or air pollutants can be hazardous to health.

**SM**To prevent accidental disasters such as fire and electric shock, the marking machine provides a power adapter with a ground wire. When using the marking machine, insert the power plug into a power socket with a ground wire with a ground wire.

**TM**When the marking machine is working, please make sure that the workplace must be cleaned up, and there should be no flammable and explosive materials around the equipment.

## Part 2: Disclaimer and warning

This product is not a toy and is not suitable for people under 15.

This product is a laser device. Please scan the QR code on the cover to get the complete "User Manual" and the latest instructions and warnings. All information in this material has been carefully reviewed, if there are any typographical errors or misunderstandings in the content, please contact us. Technical improvements (if any) of the product will be added to the new Manual without further notice. The appearance and color of the product are subject to change.

Please be sure to read this document carefully before using the product to understand your legal rights, responsibilities and safety instructions; Otherwise, it may bring property loss, safety accident and hidden danger of personal safety. Once you use this product, you shall be deemed to have understood, and accepted all terms and contents of this document. User undertakes to be responsible for his or her actions and all consequences arising therefrom. User agrees to use the Product only for legitimate purposes and agrees to the entire terms and contents of this document and any relevant policies or guidelines that AtomStack may establish.

You understand and agree that Atomstack may not be able to provide you with damage or accident damage unless you provide the original marking files, configuration parameters of the marking software used, operating system information, videos of the marking process, and operating steps prior to the occurrence of the problem or failure. reasons and to provide you with Atomstack's after sales service.

Atomstack is not liable for any and all losses arising from the user's failure to use the product in accordance with this manual, Without the guidance of the company's technical personnel, users are prohibited from disassembling the machine by themselves. If this behavior occurs, the loss caused by the user shall be borne by the user.

Atomstack has the ultimate right to interpret the document, subject to legal compliance. Atomstack reserves the right to update, modify, or terminate the Terms without prior notice.

## Part 3:Product Parameters

### Detailed Parameters of Machine M4

Laser power	5W
Ambient temperature	0°C~35°C
Repetition accuracy	<0.0001 mm
Marking depth	0.015-0.2mm
Marking accuracy	M0.001mm
Marking speed	<12m/s
Cooling method	Build-in fan
Wave length	1064nm
Marking range	70*70mm
Marking width	0.001-0.05mm
Product weight	6.77kg
Product dimensions	315mm* 200mm* 273mm (L*W*H)

## Part 4: Configuration list



USB Cable



USB Drive



Power Cord



Power Adapter



Ruler



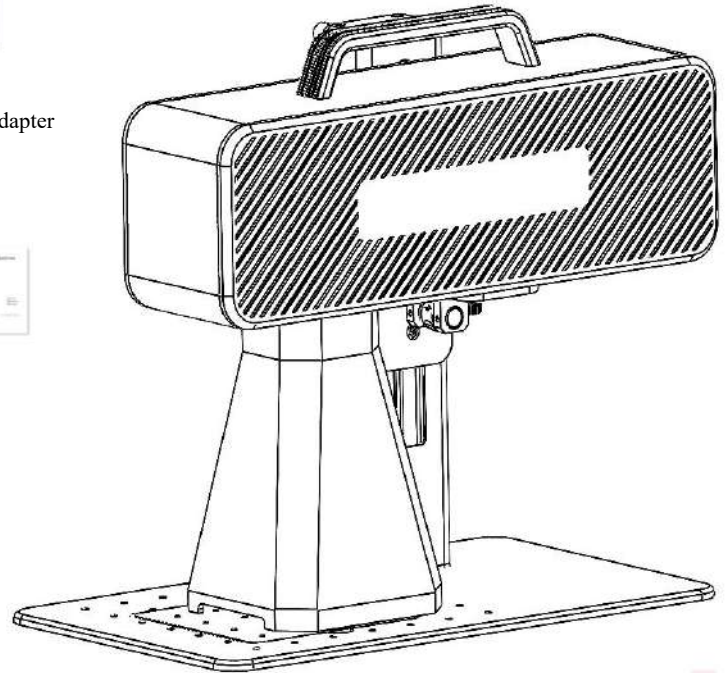
Positioning Plate



Goggles



Manual



Hexagon Wrench



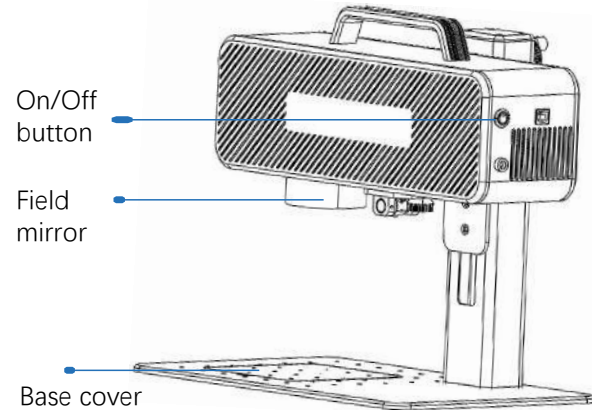
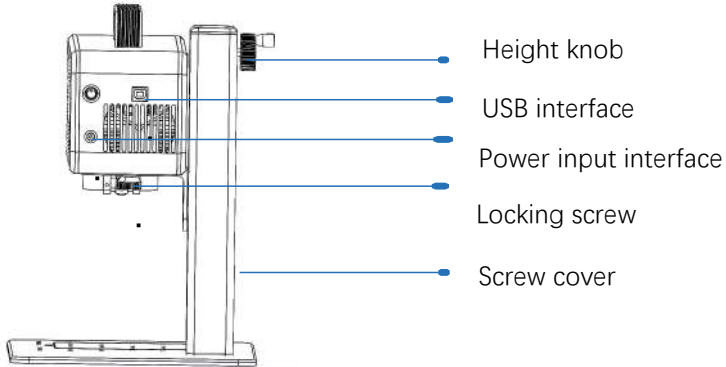
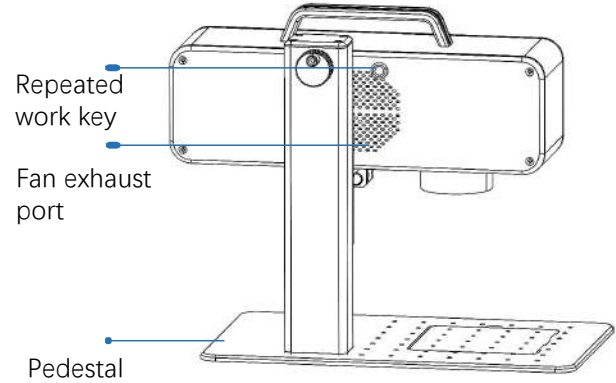
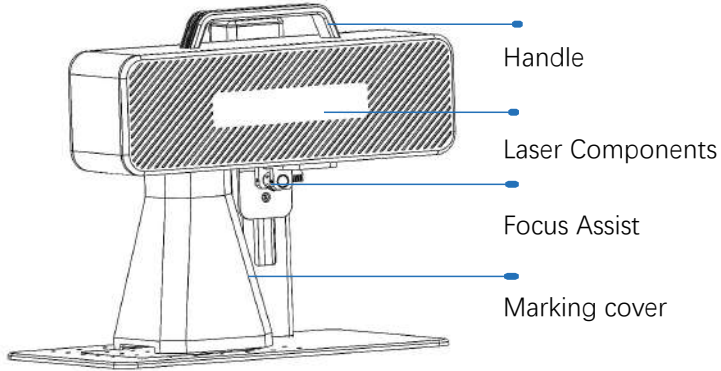
Calibration paper



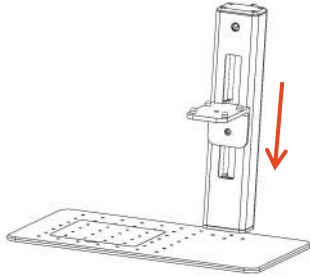
Focus film



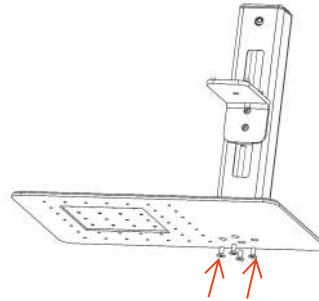
## Part 5:Product structure introduction



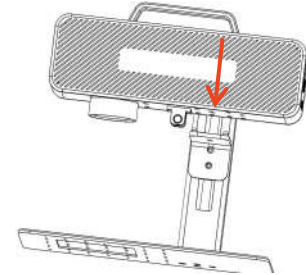
## Part 6: Introduction to the assembly method of the desktop working mode



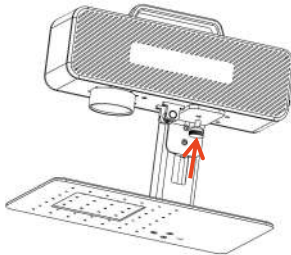
**step 1:** Prepare the support arm and align the mounting holes on the base



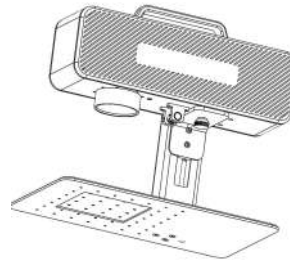
**step 2:** Install 4 screws



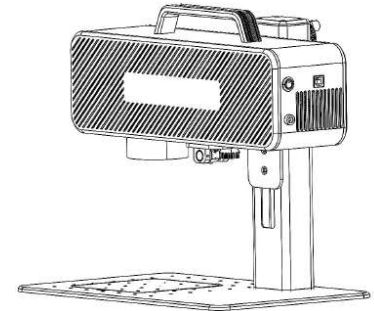
**step 3:** Install the Laser Assembly



**step 4:** Install the laser assembly locking screw

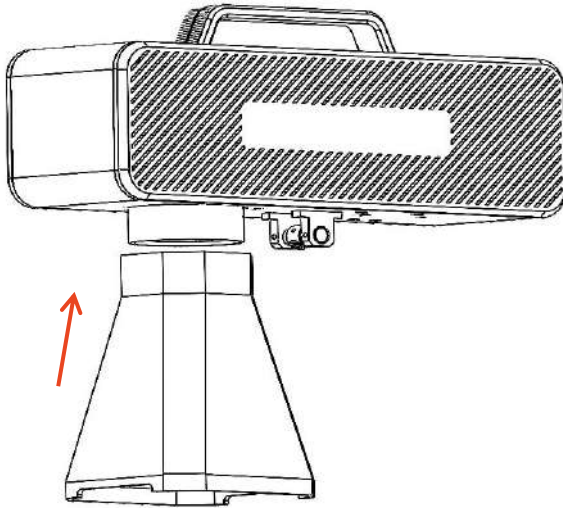


**step 5:** Tighten the screws of the laser assembly

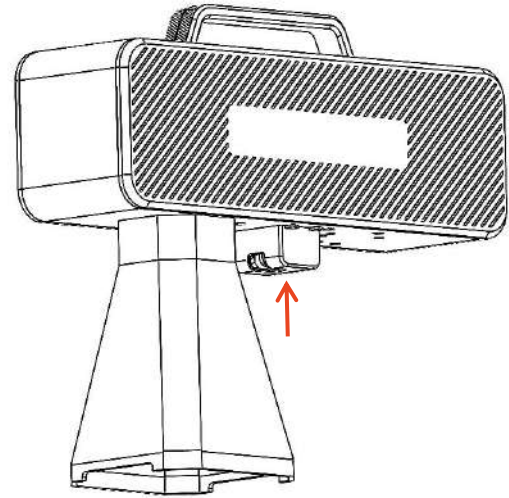


**step 6:** Assembly is complete

## Part 7: Introduction to the assembly method of the hand-held working mode



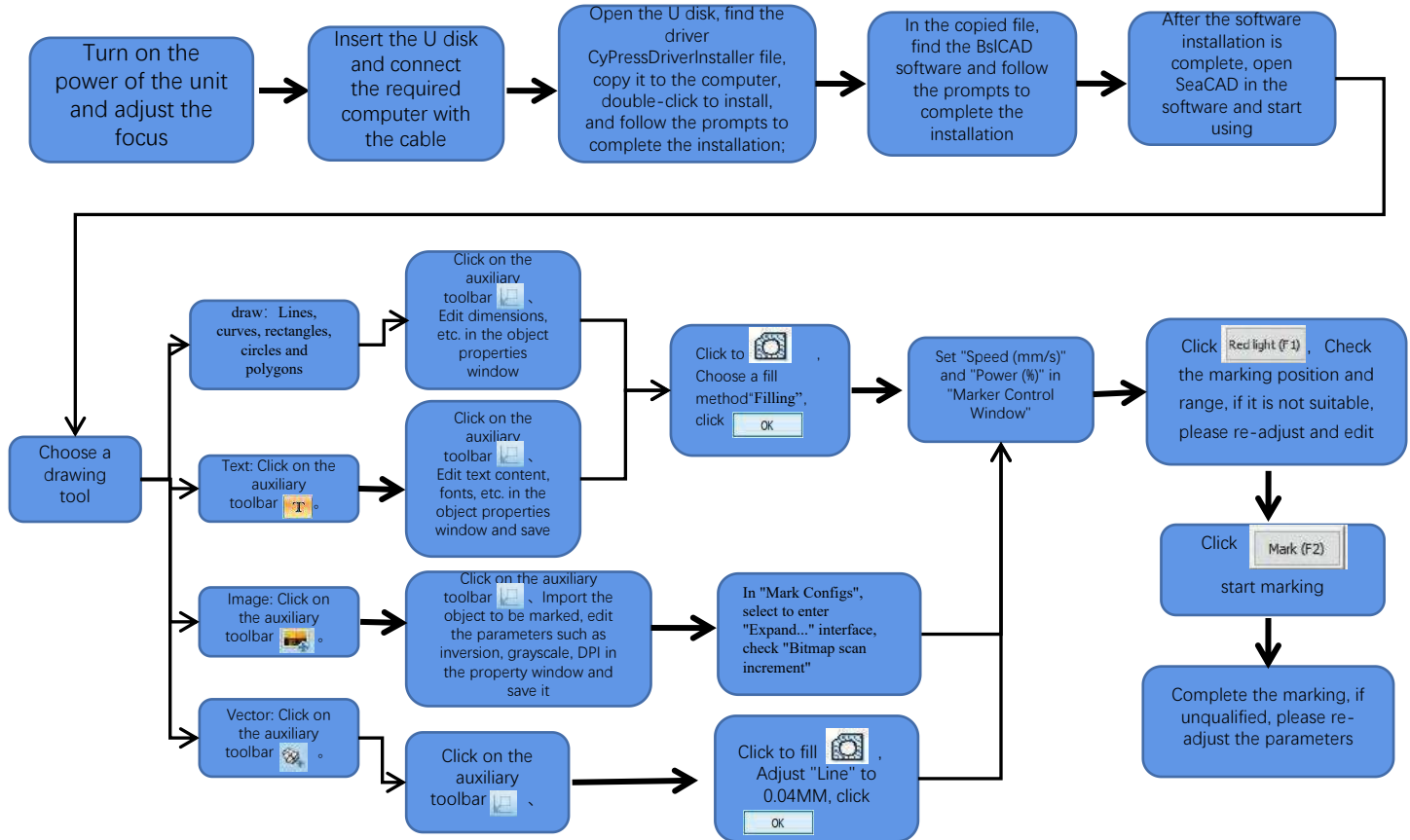
**step 1:** Install the marking cover



**step 2:** Installing the Focus Assist Protective Cover



# Part 8: Common operating procedures of the software

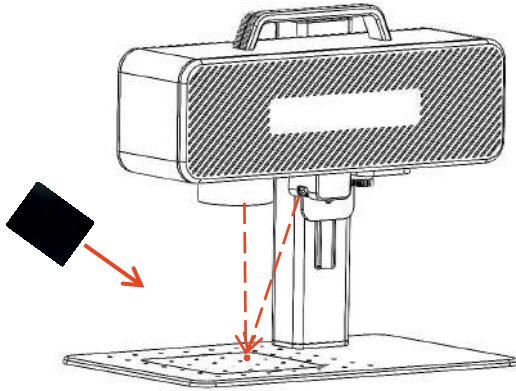


## Part 9: Product focusing method introduction

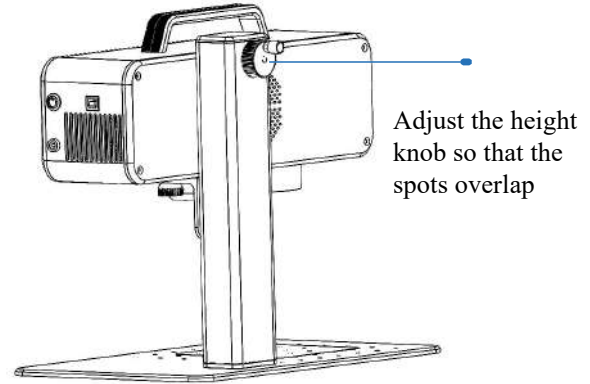
1. Put in the marking test paper, turn on the power switch of the machine, and adjust the height adjustment knob so that the two red light spots overlap into one light spot, that is, the focus debugging is completed. Otherwise continue to adjust.

Note: If the two light spots do not overlap, the marking effect will be affected when the deviation is small, and the marking machine cannot work when the deviation is large;

2. There is a ruler equipped with this machine to measure the distance between the laser head and the engraved object to adjust the focus. The distance between the two is 130mm, because there may be errors in the assembly, please refer to the actual measurement for details.



Put the focusing film to the spot where the light spot is concentrated, and adjust the height knob to make the light spots overlap.



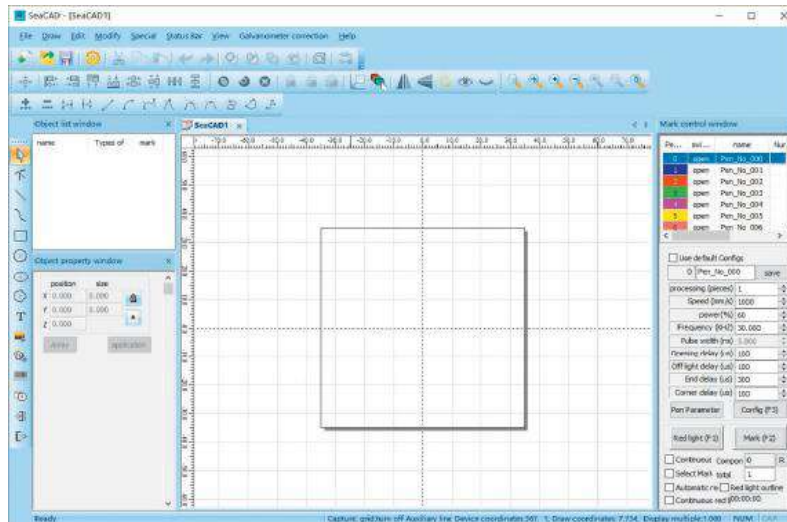
# Part 10: Software Acquisition and Installation

## Method I:

1. Turn on the power of the marking machine and use the data cable to connect the computer where the marking software needs to be installed;
2. Open the attached U disk on the computer, extract the "BSL engraving software" file to the computer desktop, open the unzipped folder, and send "ATOMSTACK" to the desktop shortcut;
3. Install the driver file "Drive/win7/win8/win10-x64.exe" in the U disk. After successful installation, double-click the desktop shortcut "ATOMSTACK" to start the engraving software.

## Method Two:

In the event that the attached U disk is lost or the software is deleted by mistake, users can log in to the official website [www.atomstack.net](http://www.atomstack.net) to obtain the software. Installation steps are the same as the method



Software Opened Page

# Part 11: Description of Functions of the software



System toolbar



Align toolbar



Status Bar



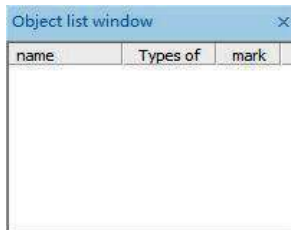
Accessibility toolbar



Node edit toolbar



Zoom toolbar



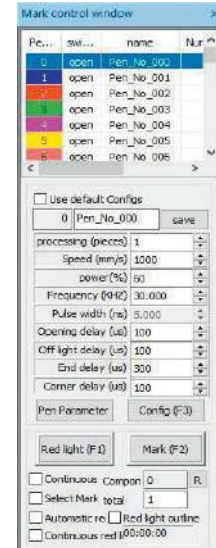
Object list window



Object property window

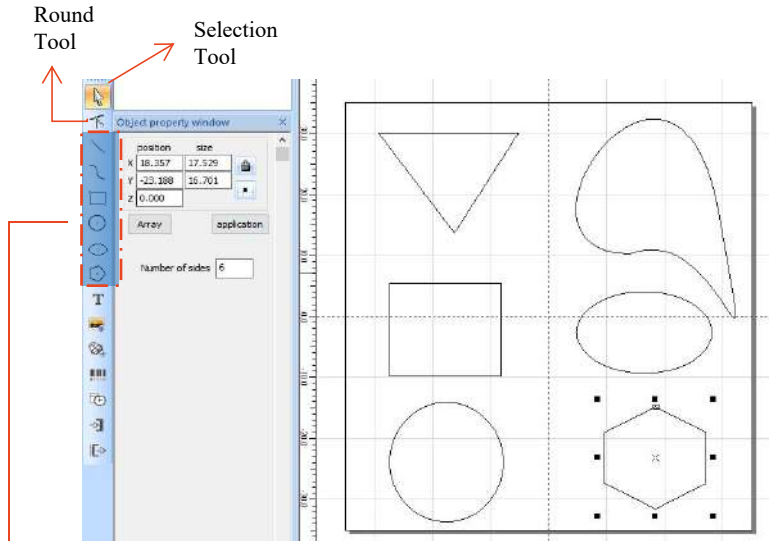


Draw toolbar

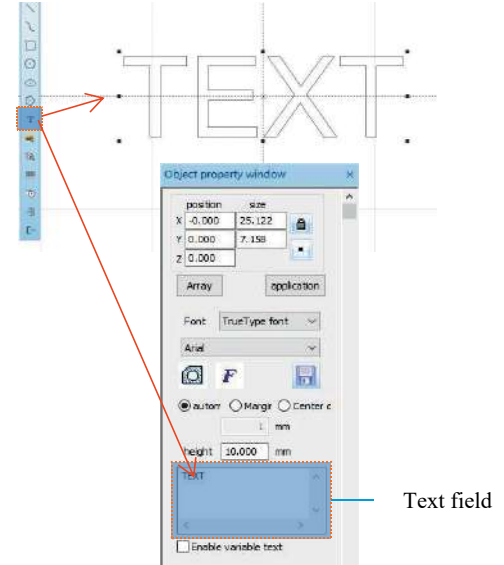



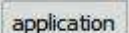
Mark control window


# Part 12: Description of Common Functions Shape Drawing




From top to bottom, they are used to draw: Lines, curves, rectangles, circles and polygons

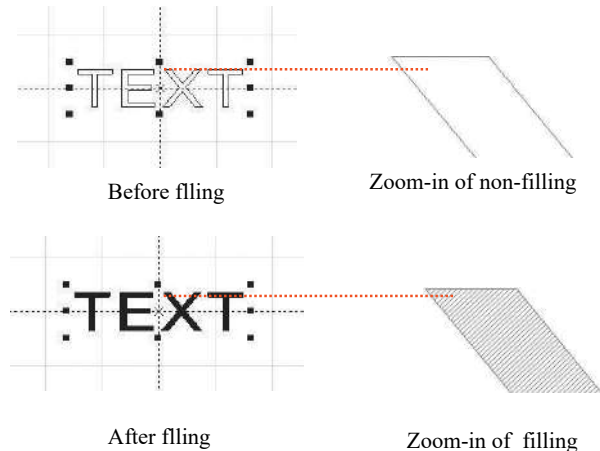
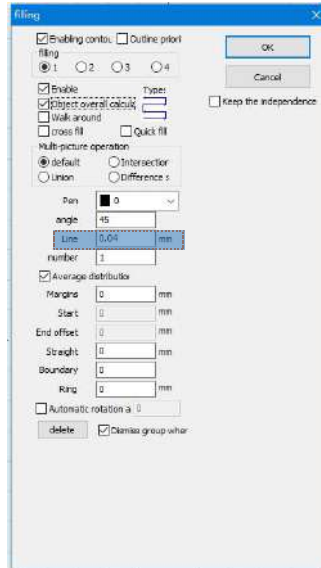
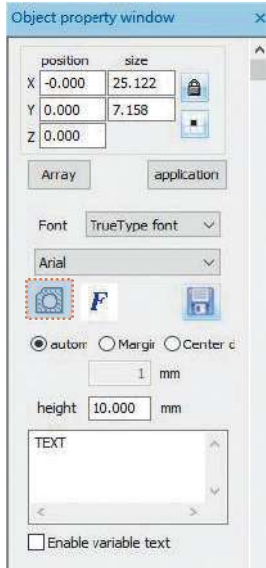



1. Click  and the "TEXT" appears by default. Enter the words in the text field and click  application complete text entry.

 Text illing must be filled to work on the object to be carved.

 A text tool to set alignment, character spacing, arc text, angle and other parameters.

# Part 13:Text Drawing



1. Click  to open the Filling Settings window;

2. There is no need to set other parameters for text carving. Only "line" needs to be changed. The default value is 0.04.

Notes: "Line" is the text filing density. The greater the value, the higher the carving speed, the lighter the carving color; the smaller the value, the lower the carving speed, the deeper the carving color;

Carving on primary color metal, paint and baking paint, oxidized paint surface, electroplating metal, plastic, leather and other paint materials provide the best effects.

# Part 14: Picture Processing (Portrait/Colored Photo)

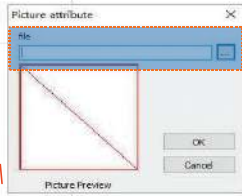




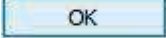
Figure 2



Image 3



Figure 4

1. Click  to pop out the "Picture attribute" window. Click  to select a picture and then click  to confirm picture import.

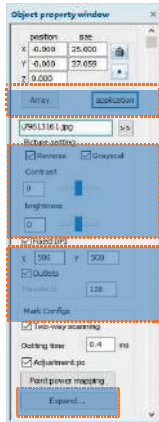


Figure 1

Figure 5



Image 6

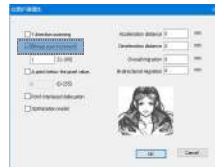


Figure 7

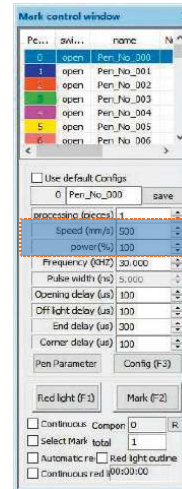


Figure 8

2. Adjust the picture to a proper size;
3. Check "Reversal," "Grayscale" and "Fixed DPI" (enter parameter 500 for X and Y) and "Outlets" in the Picture Settings window,
4. Check "Two-way scanning" in the "Mark Configs" window and enter 0.4 in "Dotting time";
5. In "Mark Configs", select to enter "Expand..." interface, check "Bitmap scan increment"
6. Carving parameter setting. Set "speed(mm/s)" as 500 and "power(%)" as 100.

Notes: Carving of portrait/colored photo on paint and baking paint metal/oxidized paint electroplating metal can produce the best effects.

# Part 15: Picture Processing (Ordinary Bitmap)

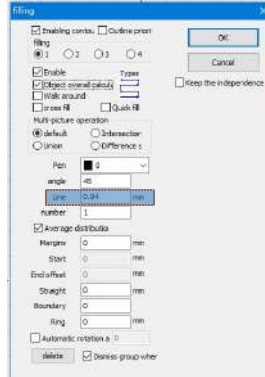
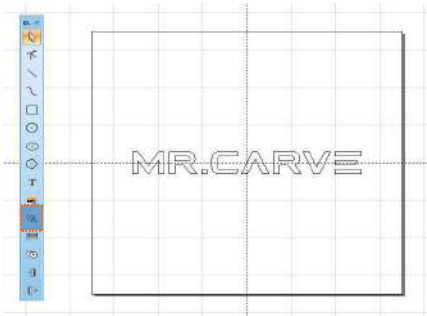
The image displays two software windows and a central image of a hot air balloon. The 'Object property window' on the left shows the balloon's position (X: -141.111, Y: -141.111, Z: 0.000) and size (282.222). It includes 'Picture setting' options like 'Revers' (unchecked) and 'Grayscale' (checked), and 'Fixed DPI' settings (X: 300, Y: 300, Outlets checked, threshold 128). The 'Mark Configs' section has 'Two way scanning' (checked), 'Dotting time' (0.4 ms), and 'Adjustment:pc' (checked). The 'Mark control window' on the right shows a list of pen configurations (Pen No. 000 to 006) and various processing parameters: 'processing (pieces): 1', 'Speed (mm/s): 500', 'power (%): 100', 'Frequency (kHz): 30,000', 'Pulse width (ns): 5,000', 'Opening delay (us): 100', 'Off light delay (us): 100', 'End delay (us): 300', and 'Corner delay (us): 100'. It also features 'Pen Parameter' and 'Contig (F2)' buttons, and checkboxes for 'Continuous Compon', 'Select Mark total', 'Automatic red', and 'Red light outline'.


Adjust the picture to a proper size;  
Check "Grayscale" and "Fixed DPI" (enter parameter 300 for X and Y) and "Outlets" in the Picture Settings window;  
Check "Two-way scanning" in the "Mark Configs" window and enter 0.4 in "Dotting time";  
Carving parameter setting. Set "speed(mm/s)" as 500 and "power(%)" as 100.

Notes: Carving on primary color metal, paint and baking paint, oxidized paint surface, electroplating metal, plastic, leather and other paint materials provide the best effects.



# Part 16: Mark Control

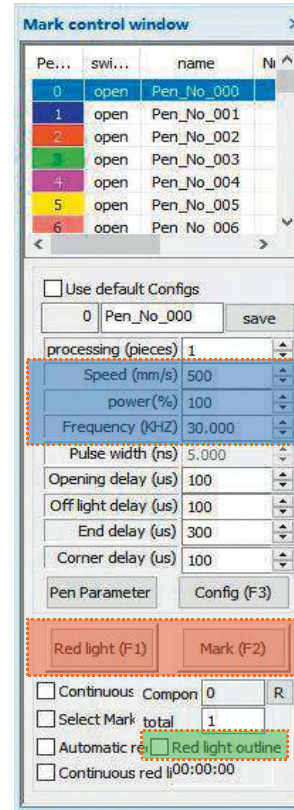


1. Click  to import vector files in the formats of PLT, DWG and AI;

2. The vector files imported must be filed before carving.  
There is no need to set other parameters for filling of vector files. Only "line" needs to be changed. The default value is 0.04



Notes: "Line" is the text filling density. The greater the value, the higher the carving speed, the lighter the carving color; the smaller the value, the lower the carving speed, the deeper the carving color;  
Carving on primary color metal, paint and baking paint, oxidized paint surface, electroplated metal, plastic, leather and other paint materials provide the best effects.



Recommended  
Parameter Adjustment  
Speed(mm/s):500  
power(%):100  
Frequency(KHZ):30

Red light (F1):  
Preview the current  
carving position, red  
light rectangular  
preview mode  
Mark(F2): Start  
carving

The option is  
checked to set as the  
contour preview  
mode.

## Part 17: References of Carving Parameters for Different Materials

Picture, Text and Vector File			
Material	Line Spacing	Power	Speed
Metal	0.01 or 0.005 or 0.001	100	300 or 500
Paint Surface Metal	0.005 or 0.001	100	500
Plastic	0.05	100	1000 or 1500
Leather	0.005 or 0.001	100	1000 or 1500
Stone	0.01	100	500
Paint Surface Glass	0.05	100	500
Paint Surface Material	0.05	100	1000 or 1500

Black and White Picture (Ordinary Bitmap)			
Material	Picture Settings	Power	Speed
Metal	Grayscale (Checked) Fixed DPI (x300 y300) Lattice point (Checked) Two-way scanning(Checked) Dotting time (0.4~0.5ms) Adjustment point power(Checked)	100	200
Paint Surface Metal		100	300
Plastic		100	500
Leather		100	500
Stone		100	200
Paint Surface Material		100	500

Colored Picture (Landscape and Portrait)			
Paint Surface Metal	Reversal (Checked) Grayscale (Checked) Fixed DPI (x500 y500) Lattice Point (Checked) Two-way scanning(Checked) Dotting time (0.4~0.5ms) Adjustment point power(Checked)	100	500
Electroplated Metal			
Oxidized Metal			
ABS			

# FAQ

## I. The machine does not respond when powered on.

1. Power connection failure: check the socket, switch and socket on the machine body to ensure that they have been properly plugged and connected to power; check the Power button on the panel to make sure it is pressed and the button light is on.

## II. Unable to connect to the computer

1. Not connected to the USB cable: check the computer and machine interface of the USB cable to ensure that it is properly connected. The USB interface on the front panel of some desktop computers is invalid, so it needs to be connected to the socket at the rear of the host.

2. The driver is not installed properly: install the driver according to the instructions. If the computer identifies the device as a serial port after installation, the hardware connection is OK.

3. Other special cases: disconnect the USB cable and power supply. After the equipment is completely powered off for 5 seconds, connect it to the power again.

## III. Light carving or no carving

1. Inaccurate focusing: read the focusing section of the Operations Manual for accurate focusing.

2. Carving speed: a result of too high speed or too short burning time. Read the carving parameters section of the Operations Manual to readjust the parameters.

3. Shallow picture: the imported picture needs to be clear. If the lines too fine and the color is too light, the carving effect will be affected directly.

4. Placement of object: as the laser focal distance is fixed, the object to be carved needs to be flat, parallel to the machine body. If the object to be carved is tilted, the focal distance is inaccurate, resulting in abnormal carving effect.



## Customer Service:

➤ For detailed warranty policy, please visit our official website at: [www.atomstack.net](http://www.atomstack.net)

➤ For technical support and service, please email: [support@atomstack.net](mailto:support@atomstack.net)

**Manufacturer:** Shenzhen AtomStack Technologies Co., Ltd.  
Address: 202, Building 1, Mingliang Technology Park, No. 88  
Zhuguang North Road, Taoyuan Street, Nanshan District,  
Shenzhen, Guangdong, China

Scan the code to enter the discussion group.

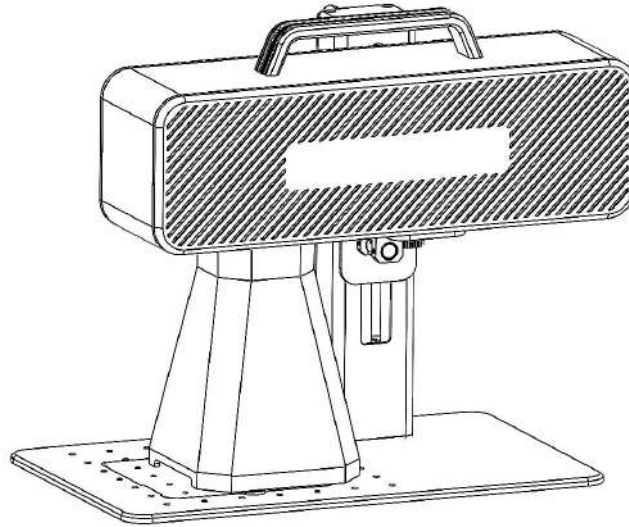


Laser Marking Machine

Scanner APPLICATION:

QR code reader/ Barcode scanner or  
any APP with scanner.

# Laserbeschriftungsmaschine ATOMSTACK M4



Hinweis: Die Bilder dienen nur als Referenz, das tatsächliche Produkt ist maßgeblich.

Für weitere Informationen scannen Sie bitte den QR-Code.

- English
- Deutsch
- Français
- Italiano
- Español

F03-0078-0AA1 Version: A



Laser Marking Machine

# Teil 1: Sicherheitserklärungen vor der Installation

**Lesen Sie diesen Sicherheitsleitfaden sorgfältig durch, bevor Sie eine Lasermarkiermaschine verwenden, die Situationen nennt, die besondere Aufmerksamkeit erfordern, und Warnungen vor unsicheren Praktiken enthält, die Ihr Eigentum beschädigen oder sogar Ihre persönliche Sicherheit gefährden können.**

1. Dieses Produkt gehört zur Klasse 4 Laserprodukte. Das Lasersystem selbst muss den Anforderungen der neuesten Version der IEC 60825-1 entsprechen, andernfalls ist es verboten, es zu verwenden.

2. Beim Umgang mit dem Produkt muss eine geeignete Schutzbrille getragen werden, um die Augen vor Laserlicht (sowohl reflektiertes als auch Streulicht) zu schützen.

3. Da das Schneiden das Substrat verbrennt, erzeugt der hochintensive Laserstrahl extrem hohe Temperaturen und viel Wärme. Bestimmte Materialien können beim Schneiden Feuer fangen und im Gerät Gase und Rauch erzeugen. Wenn der Laserstrahl auf das Material trifft, entsteht hier normalerweise eine kleine Flamme. Es bewegt sich mit dem Laser und bleibt nicht beleuchtet, wenn der Laser vorbeigeht. Lassen Sie die Maschine während des Ritzvorgangs nicht unbeaufsichtigt. Achten Sie nach Gebrauch darauf, Schmutz, Späne und brennbare Stoffe in der Markiermaschine zu reinigen. Halten Sie einen verfügbaren Feuerlöscher in der Nähe, um die Sicherheit zu gewährleisten. Beim Einsatz von Lasermarkiermaschinen entstehen aus dem Material Rauch, Dämpfe, Partikel und potenziell hochgiftige Materialien (Kunststoffe und andere brennbare Materialien). Diese Dämpfe oder Luftschadstoffe können gesundheitsschädlich sein.

4. Um unerwartete Katastrophen wie Brände und Stromschläge zu vermeiden, bietet die Markiermaschine ein Netzteil mit Erdungskabel. Stecken Sie bei Verwendung des Markierers den Netzstecker mit dem Erdungskabel in die Steckdose mit dem Erdungskabel.

5. Achten Sie bei der Arbeit mit der Ritzmaschine darauf, dass der Arbeitsplatz gereinigt werden muss und dass sich keine brennbaren und explosiven Gegenstände um das Gerät befinden dürfen.

## Teil 2: Haftungsausschluss und Warnung

Dieses Produkt ist kein Spielzeug und nicht für Personen unter 15 Jahren geeignet.

Dieses Produkt ist ein Lasergerät. Bitte scannen Sie den QR-Code auf dem Deckel, um das vollständige "Handbuch" sowie die neuesten Gebrauchsanweisungen und Warnhinweise zu erhalten. Alle Informationen in diesem Material wurden sorgfältig geprüft. Bitte kontaktieren Sie uns, wenn es Druckfehler oder Missverständnisse in den Inhalten gibt. Technische Verbesserungen des Produkts (falls vorhanden) werden ohne vorherige Ankündigung in das neue Handbuch aufgenommen. Das Aussehen und die Farbe der Produkte können sich ändern.

Bitte lesen Sie dieses Dokument sorgfältig durch, bevor Sie das Produkt verwenden, um Ihre gesetzlichen Rechte, Pflichten und Sicherheitshinweise zu verstehen. Andernfalls kann es zu Sachschäden, Sicherheitsunfällen und persönlichen Sicherheitsrisiken kommen. Sobald Sie dieses Produkt verwenden, wird davon ausgegangen, dass Sie alle Bedingungen und Inhalte dieses Dokuments verstanden und akzeptiert haben. Der Nutzer verpflichtet sich, für seine Handlungen und alle daraus resultierenden Folgen verantwortlich zu sein. Der Benutzer erklärt sich damit einverstanden, das Produkt nur für legitime Zwecke zu verwenden und stimmt den vollständigen Bedingungen und Inhalten dieses Dokuments sowie allen relevanten Richtlinien oder Richtlinien zu, die AtomStack möglicherweise erstellt hat.

Sie verstehen und stimmen zu, dass Atomstack nicht in der Lage sein kann, Ihnen Beschädigungen oder versehentliche Beschädigungen zur Verfügung zu stellen, es sei denn, Sie geben die ursprüngliche Markierungsdatei, die Konfigurationsparameter der verwendeten Markierungssoftware, Betriebssysteminformationen, Videos des Markierungsprozesses und die Arbeitsschritte vor dem Auftreten des Problems oder der Störung an. Und bieten Ihnen den After-Sales-Service von AtomStack.

Atomstack haftet nicht für alle Schäden, die durch den Benutzer verursacht werden, wenn er das Produkt nicht gemäß dieser Anleitung verwendet, und es ist dem Benutzer untersagt, die Maschine ohne Anweisung des technischen Personals des Unternehmens selbst zu demontieren. Im Falle eines solchen Verhaltens trägt der Nutzer den daraus resultierenden Schaden.

Atomstack hat das endgültige Recht, das Dokument zu interpretieren, vorbehaltlich gesetzlicher Bestimmungen. Atomstack behält sich das Recht vor, diese Bedingungen ohne vorherige Ankündigung zu aktualisieren, zu ändern oder zu beenden.



## Teil 3: Produktparameter

### Detaillierte Parameter der Maschine M4

Laserleistung	5W
Umgebungstemperatur	0°C~35°C
Wiederholbarkeit	< 0,0001 mm
Tiefe der Gravur	0,015-0,2 mm
Markierungsgenauigkeit	M0,001mm
Markierungsgeschwindigkeit	< 12m/s
Art der Kühlung	Eingebauter Lüfter
Wellenlänge	1064 nm
Markierungsbereich	70 * 70 mm
Markierungsbreite	0,001-0,05 mm
Gewicht des Erzeugnisses	6,77 kg
Abmessungen der Produkte	315mm * 200mm * 273mm (L*W*H)

# Teil 4: Konfigurationsliste



USB-Kabel



USB Drive



Netzkabel



Power Adapter



Das Lineal



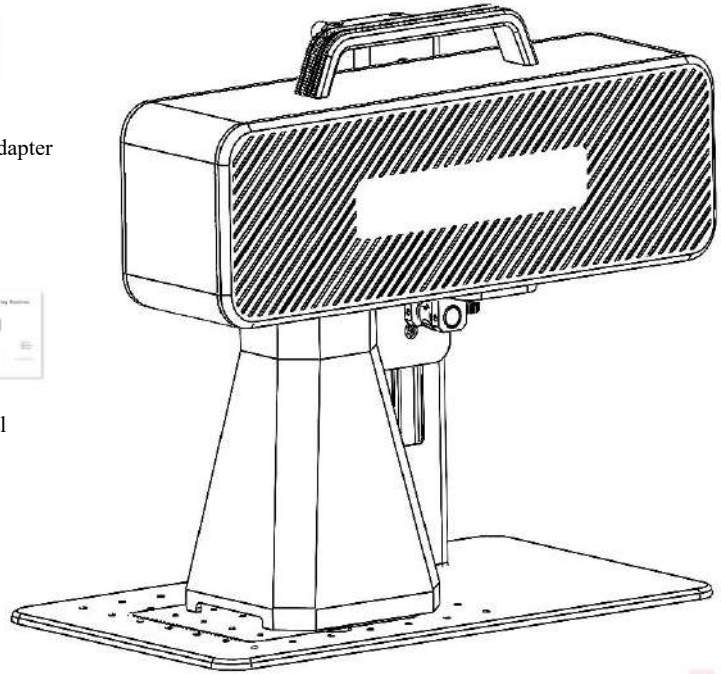
Positionierplatte



Die Schutzbrille



Manual



Sechskantschlüssel

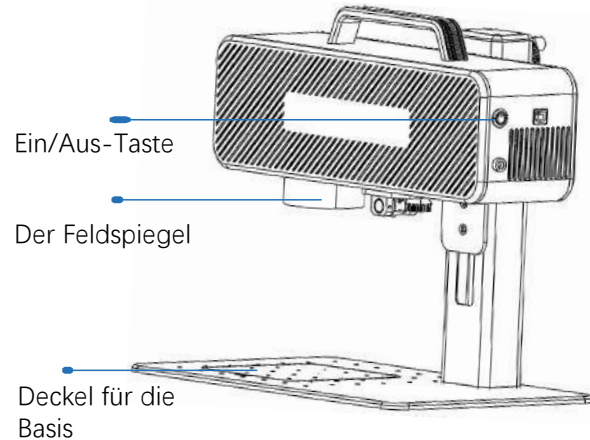
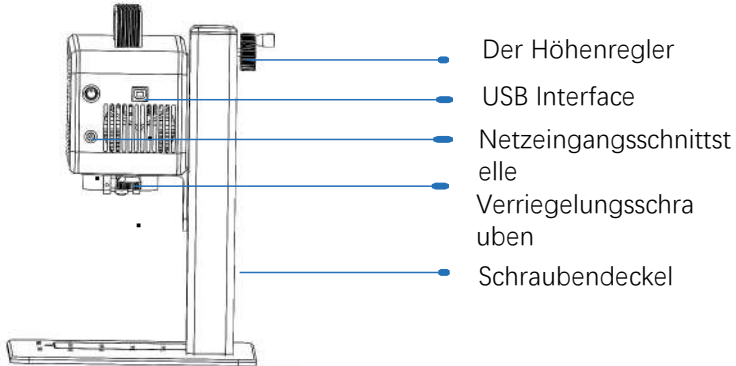
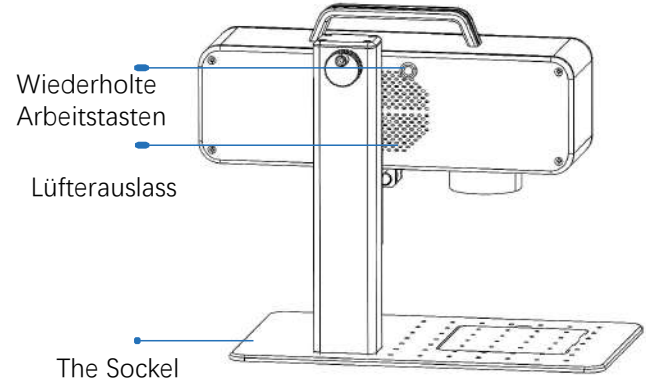
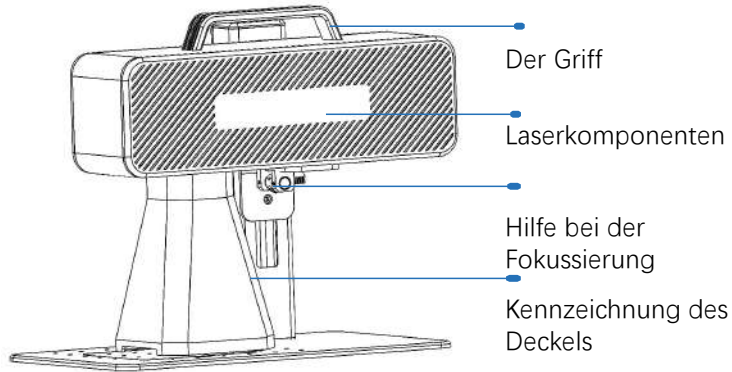


Kalibrierpapier

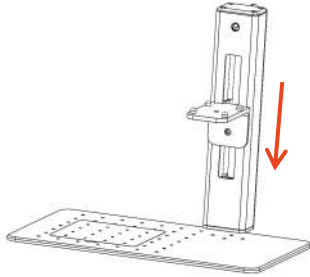


Film konzentrieren

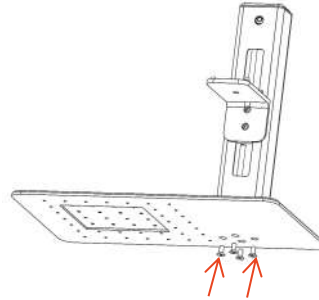
# Teil 5: Einführung in die Produktstruktur



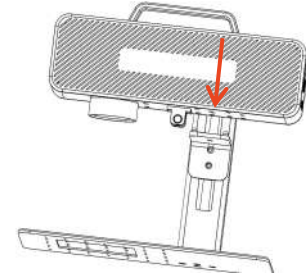
# Teil 6: Einführung in die Montagemethode des Desktop-Arbeitsmodus



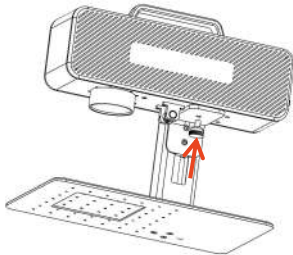
Schritt 1: Bereiten Sie den Tragarm vor und richten Sie die Befestigungslöcher an der Basis aus



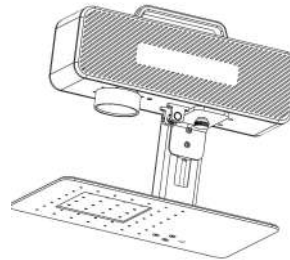
2. Befestigung von 4 Schrauben



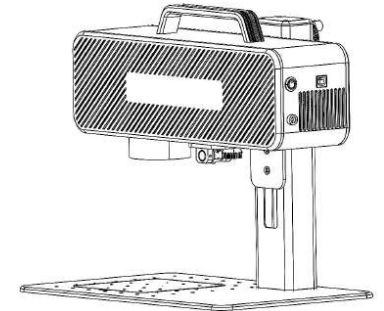
3. Montage der Laserbaugruppe



Schritt 4: Installieren Sie die Feststellschrauben der Laserbaugruppe

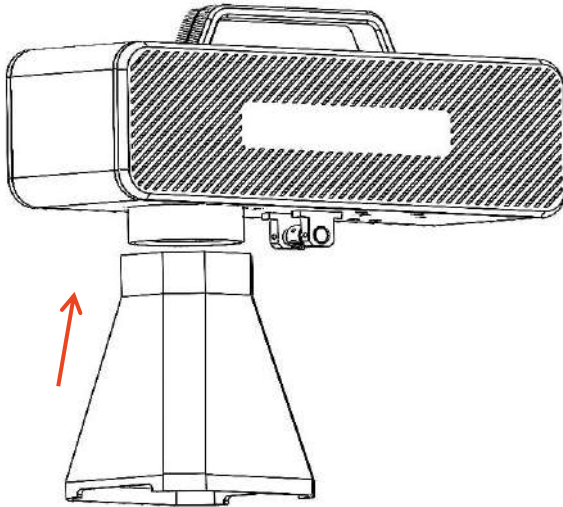


Schritt 5: Ziehen Sie die Laser-Montageschrauben fest

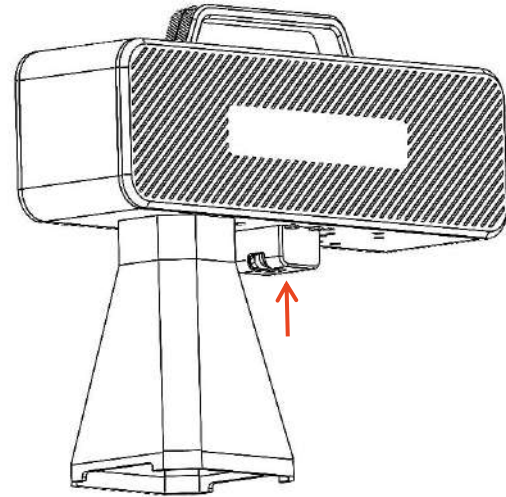


Schritt 6: Montage abgeschlossen

## Teil 7: Einführung in die Montagemethode des Handarbeitsmodus

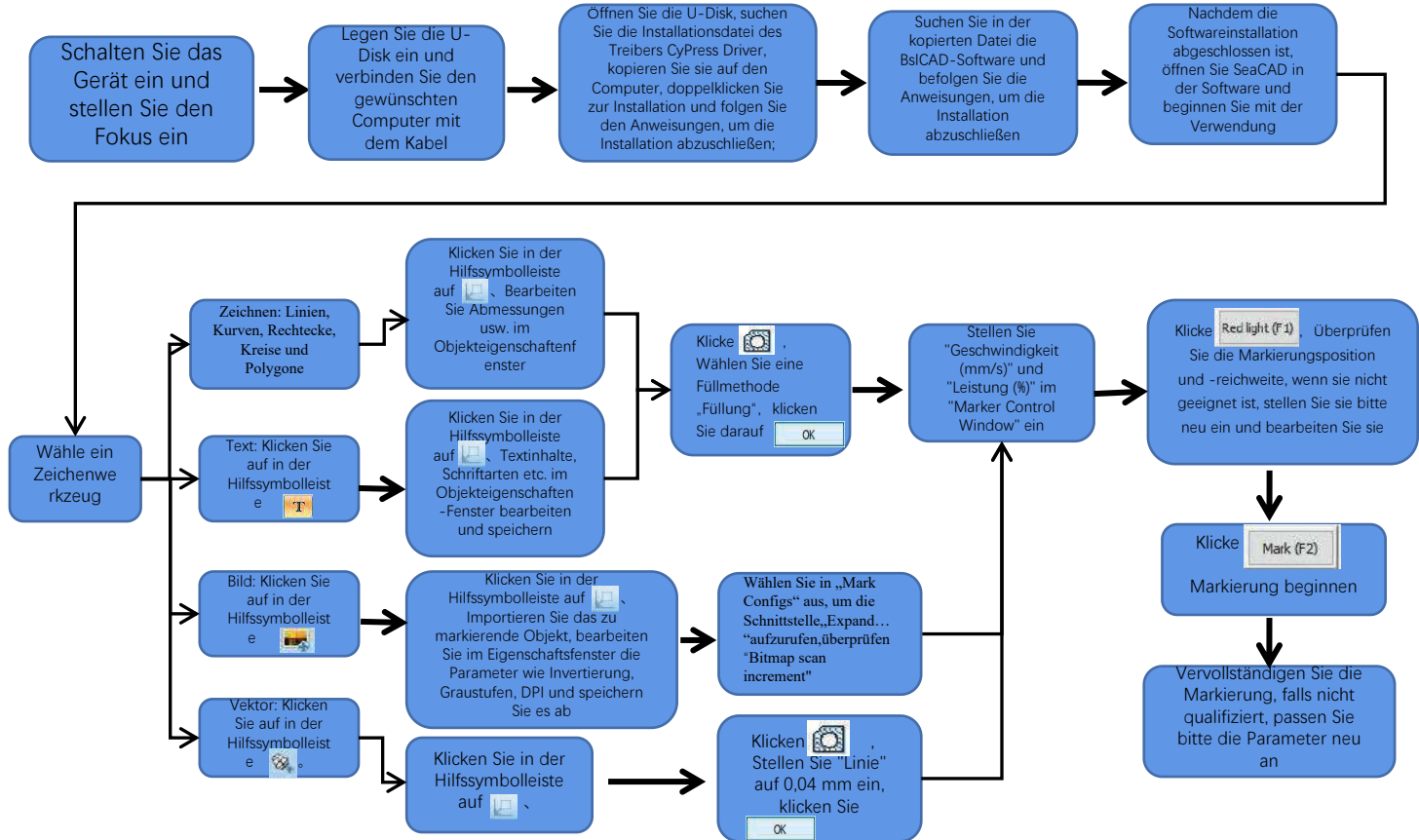


Schritt 1: Installieren Sie den Markierungsdeckel



Schritt 2: Installieren Sie die Fokus-Assistenzschutzhäube

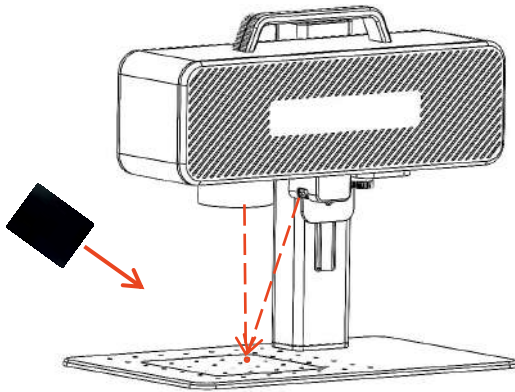
# Part 8: Common operating procedures of the software



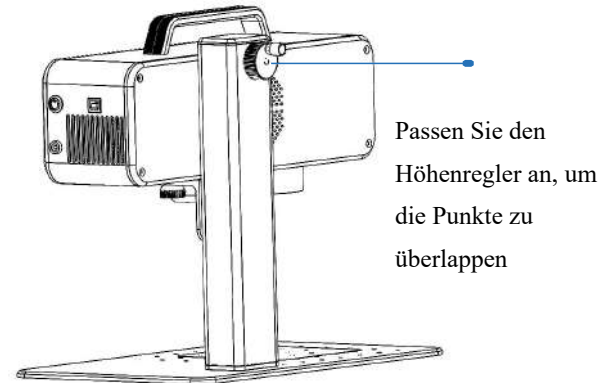
# Teil 9: Einführung in Produktfokussierungsmethoden

1. Legen Sie das Testpapier in das Bewertungspapier, schalten Sie den Maschinenstromschalter ein und stellen Sie den Höhenverstellknopf ein, um die beiden roten Flecken zu einem Fleck zu überlappen, dh vervollständigen Sie das Fokus-Debugging. Andernfalls wird die Anpassung fortgesetzt. Hinweis: Wenn die beiden Flecken nicht übereinstimmen, beeinflusst die Abweichung den Ritzeffekt, und die Ritzmaschine kann nicht arbeiten, wenn die Abweichung groß ist;

2. Diese Maschine ist mit einem Lineal ausgestattet, das den Abstand zwischen dem Laserkopf und dem zu gravierenden Objekt misst, um den Fokus einzustellen. Der Abstand zwischen den beiden beträgt 130 mm, da es bei der Montage zu Fehlern kommen kann. Bitte beziehen Sie sich auf die tatsächliche Messung.



Legen Sie die Fokusfolie auf den Punkt in der Punktkonzentration und stellen Sie den Höhenknopf ein, um die Punkte zu überlappen.



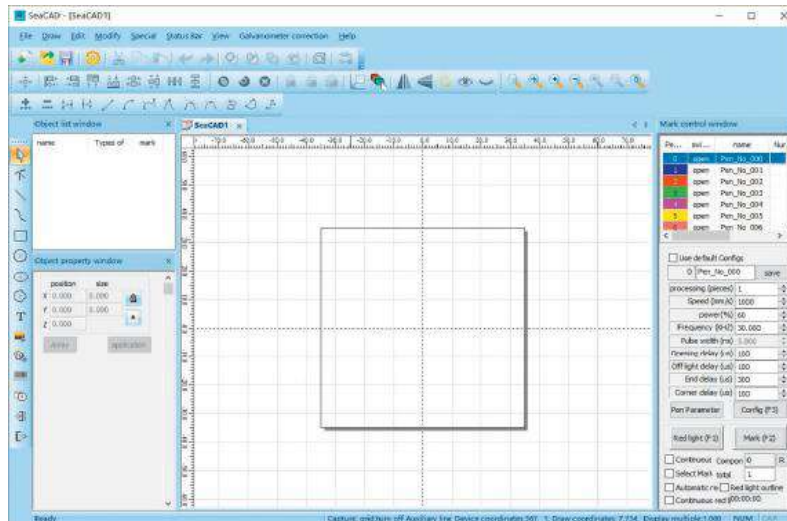
# Teil 10: Softwarebeschaffung und -installation

## Method 1:

1. Schalten Sie die Stromversorgung der Bewertungsmaschine ein und verwenden Sie die Datenleitung, um den Computer anzuschließen, der die Bewertungssoftware installieren muss;
2. Öffnen Sie die U-Disk, die mit dem Computer geliefert wird, extrahieren Sie die Datei "BSL Engraving Software" auf den Computer-Desktop, öffnen Sie den entpackten Ordner und senden Sie "AtomStack" an die Desktop-Verknüpfung;
3. Installieren Sie die Treiberdatei "Drive\Win7Win8Win10-x64.exe" auf dem USB-Stick. Starten Sie nach erfolgreicher Installation die Gravursoftware mit einem Doppelklick auf die Desktop-Verknüpfung "AtomStack".

## Method 2:

Im Falle des Verlusts oder der versehentlichen Löschung der Software auf dem beigefügten USB-Stick kann sich der Benutzer auf der offiziellen Website [www.atomstack.net](http://www.atomstack.net) anmelden, um die Software zu erhalten. Die Installationsschritte sind die gleichen wie bei der Methode



Software öffnet die Seite



# Teil 11: Beschreibung der Softwarefunktionen



System-Werkzeuggestreife



Die Symbolleiste ausrichten



Statusleiste



Accessibility Toolbar



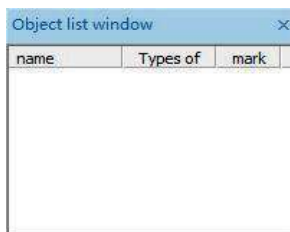
Knotenbearbeitungsleiste



Zoom-Werkzeuggestreife



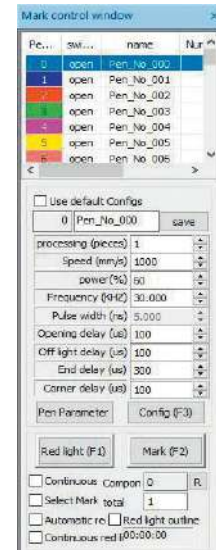
Zeichnen der Symbolleiste



Objektlistenfenster



Objekteigenschaftenfenster

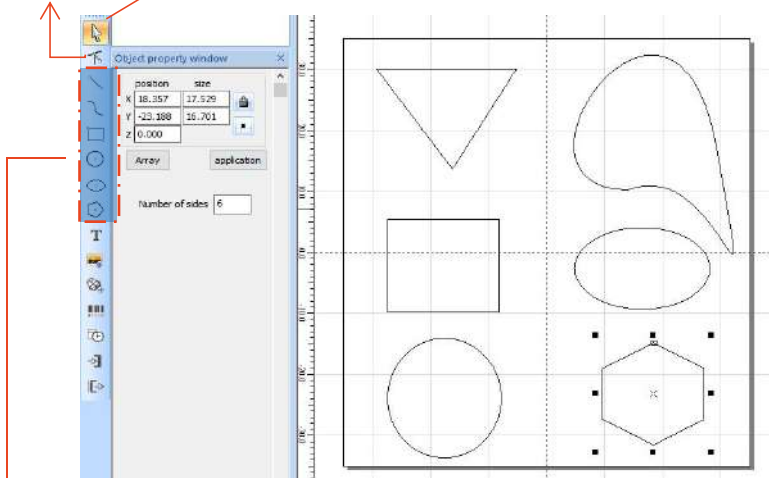


Kontrollfenster markieren

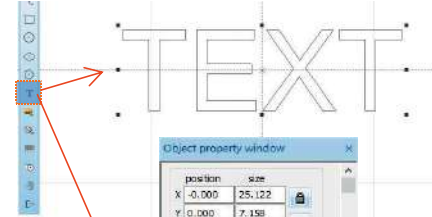
# Teil 12: Beschreibung gängiger Funktionen

Das  
Rundwerkzeug



Werkzeuge  
auswählen





Von oben nach unten werden sie verwendet, um zu zeichnen: gerade Linien, Kurven, Rechtecke, Kreise und Polygone



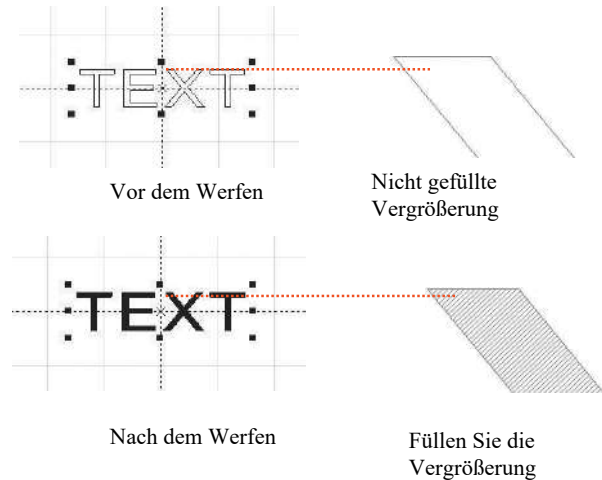
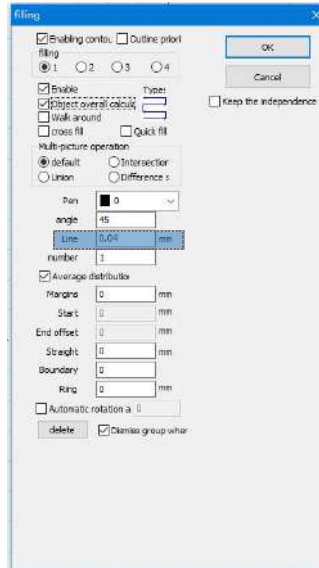
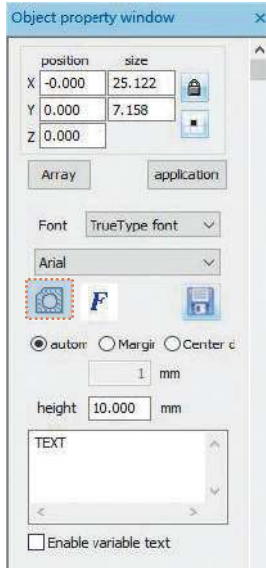
Textfeld


1. Klicken Sie auf , "Text" erscheint standardmäßig, Geben Sie die Wörter ein das Textfeld und klicken Sie auf  Anwendung Vollständige Texteingabe.

 Die Textfüllung muss ausgefüllt werden, um das zu schnitzende Objekt bearbeiten zu können.

 Ein Textwerkzeug zum Einstellen von Ausrichtung, Zeichenabstand, Bogentext, Winkel und anderen Parametern.

# Teil 13: Textzeichnungen



1. Klicken Sie auf  Öffnen, um das Einstellungsfenster auszufüllen;

2. Es sind keine zusätzlichen Parameter für die Textgravur erforderlich. Nur die "Linien" müssen geändert werden. Der Standardwert ist 0.04. Hinweis: "Zeile" ist die blinkende Dichte des Textes. Je größer der Wert ist, desto höher ist die Gravurgeschwindigkeit und desto heller ist die Gravurfarbe; Je kleiner der Wert ist, desto niedriger ist die Gravurgeschwindigkeit und desto dunkler ist die Gravurfarbe; Das Gravieren von Primärmetallen, Lacken und Backlacken, Oxidationslacken, galvanisierten Metallen, Kunststoffen, Leder und anderen Lackmaterialien liefert die besten Ergebnisse.

# Teil 14: Bildbearbeitung (Portrait/Farbfotos)



Abb. 1

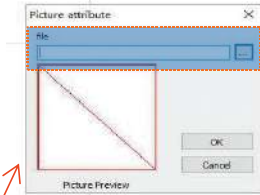


Abb. 2

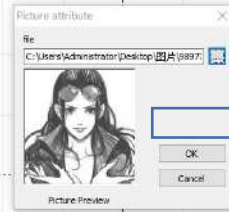


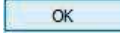


Abb. 3



Abbildung 4

1. Klicken Sie auf  das Pop-up-Fenster "Bild Atribute", klicken Sie auf  die Auswahl des Bildes und klicken Sie auf  Bestätigen Bilder importieren.

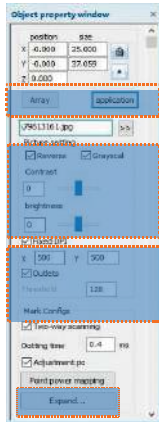


Abb. 5



Abb. 6

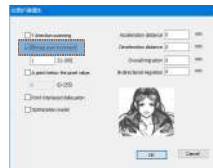


Abb. 7

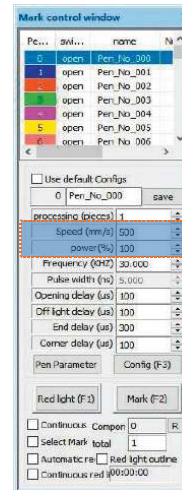
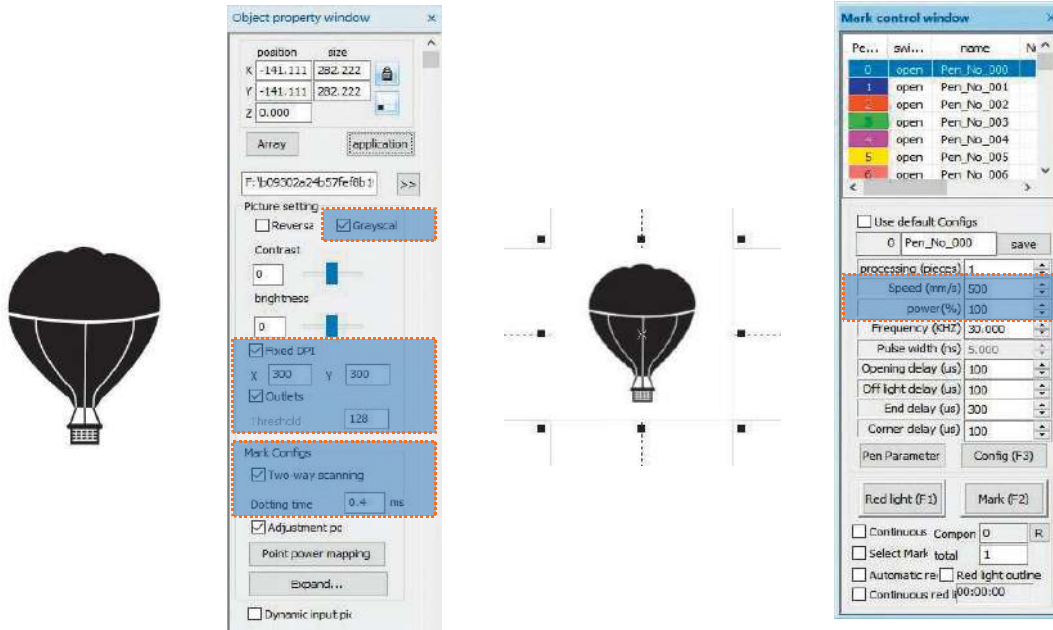


Abb. 8

2. Passen Sie das Bild auf die richtige Größe an;
3. Markieren Sie "Invert" "Graustufen" "Fixed DPI" (X und Y Eingabeparameter 500) und "Exit" im Bildeinstellungsfenster,
4. Kreuzen Sie "Zwei-Wege-Scan" im Fenster "Markierungskonfiguration" an und geben Sie 0,4 in "Schlagzeit" ein;
5. Wählen Sie in „Mark Configs“ aus, um die Schnittstelle, Expand...  
“ aufzurufen, überprüfen“Bitmap scan increment”
6. Einstellung der Gravurparameter. Setzen Sie "Geschwindigkeit (mm/s)" auf 500 und "Leistung (%)" auf 100.

Hinweis: Das Gravieren von Porträts/Farbfotos auf Farbe, Backlack Metall/Oxidationslack galvanisiertes Metall kann die besten Ergebnisse erzielen.

# Teil 15: Bildbearbeitung (normale Bitmaps)



The image displays two software windows side-by-side. On the left is the 'Object property window' and on the right is the 'Mark control window'. The 'Object property window' shows a hot air balloon image with various settings. The 'Mark control window' shows a list of pen configurations and marking parameters.

**Object property window**

position	size
X -141.111	282.222
Y -141.111	282.222
Z 0.000	

Array application: F:\09002s24b57fe8b.t >>

Picture setting

- Reverse
- Grayscale

Contrast: 0

brightness: 0

Fixed DPI

X 300 Y 300

Outlets

Threshold 128

Mark Configs

- Two-way scanning
- Dotting time 0.4 ms
- Adjustment:pc

Point power mapping

expand...

Dynamic input:pk

**Mark control window**

Pen...	sel...	name
0	open	Pen_No_000
1	open	Pen_No_001
2	open	Pen_No_002
3	open	Pen_No_003
4	open	Pen_No_004
5	open	Pen_No_005
6	open	Pen_No_006

Use default Configs

0 Pen\_No\_000 save

processing (pieces) 1

Speed (mm/s) 500

power (%) 100

Frequency (kHz) 30.000

Pulse width (ns) 5.000

Opening delay (us) 100

Off light delay (us) 100

End delay (us) 300

Corner delay (us) 100

Pen Parameter Config (F2)

Red light (F1) Mark (F2)

Continuous Compon 0 R

Select Mark total 1

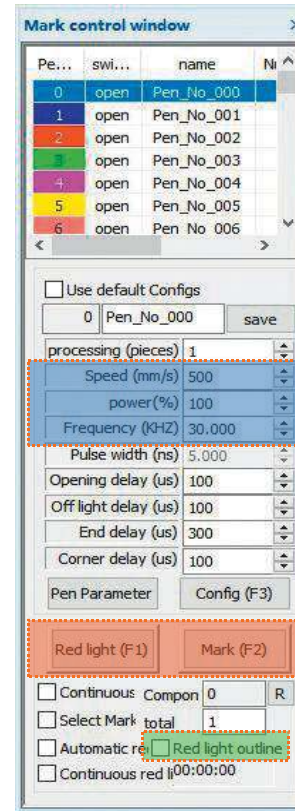
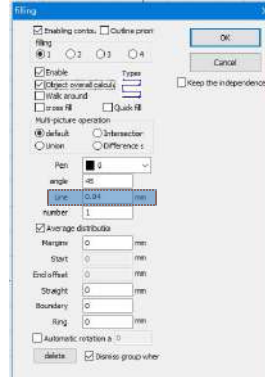
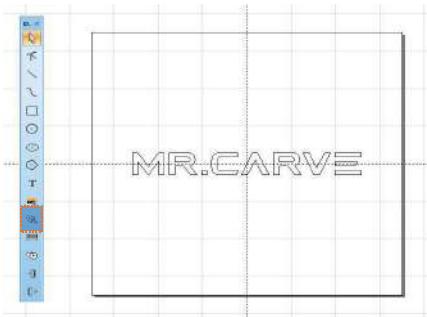
Automatic red light outline


Continuous red 100:00:00

Passen Sie das Bild auf die richtige Größe an;  
Markieren Sie "Graustufen" und "Fixed DPI" (X und Y Eingabeparameter 300) und "Ausgang" im Bildeinstellungsfenster;  
Aktivieren Sie "Zwei-Wege-Scan" im Fenster "Markierungskonfiguration" und geben Sie 0,4 in "Schlagzeit" ein;  
Einstellung der Gravurparameter. Setzen Sie "Geschwindigkeit (mm/s)" auf 500 und "Leistung (%)" auf 100.

Hinweis: Das Gravieren von Primärmetall, Farbe und Backlack, Oxidationslack, galvanisiertem Metall, Kunststoff, Leder und anderen Lackmaterialien liefert die besten Ergebnisse.

# Teil 16: Kennzeichnungskontrolle



1. .Klicken Sie auf  Vektordateien im PLT, DWG, AL-Format importieren;

2. Importierte Vektordateien müssen vor dem Gravieren filled verarbeitet werden. Es ist nicht erforderlich, zusätzliche Parameter für das Füllen von Vektordateien festzulegen. Nur die "Linien" müssen geändert werden. The default is 0.04



Hinweis: Die "Linie" ist die Textfülldichte. Je größer der Wert ist, desto höher ist die Gravurgeschwindigkeit, desto heller ist die Gravurfarbe, desto kleiner ist der Wert, desto niedriger ist die Gravurgeschwindigkeit und desto dunkler ist die Gravurfarbe;

Das Gravieren von Primärmetallen, Lacken und Backlacken, Oxidationslacken, galvanisierten Metallen, Kunststoffen, Leder und anderen Lackmaterialien liefert die besten Ergebnisse.

Empfohlene  
Parameteranpassung  
Speed (mm/sec): 500  
Leistung (%): 100  
Frequenz (kHz): 30

Rotes Licht (F1):  
Vorschau der  
aktuellen  
Gravurposition,  
Vorschau des  
Rotlicht-Rechtecks  
Markierung (F2):  
Start der Gravur

Aktivieren Sie diese  
Option, um den  
Konturvorschau mod  
us einzustellen.

## Teil 17: Hinweise auf Gravurparameter für verschiedene Materialien

Bild-, Text- und Vektordateien			
Das Material	Zeilenabstand	The Power	The Speed
METALL	0,01 oder 0,005 oder 0,001	100	300 oder 500
Lackiertes Metall	0,005 oder 0,001	100	500
Waren aus Kunststoffen	0.05	100	1000 oder 1500
Leder	0,005 oder 0,001	100	1000 oder 1500
Die Steine	0.01	100	500
Lackiertes Glas	0.05	100	500
Lackiertes Material	0.05	100	1000 oder 1500

Schwarz-Weiß-Bilder (normale Bitmaps)			
Das Material	Einstellungen der Bilder	The Power	The Speed
METALL	Graustufen (ankreuzen) Fixed DPI (x300 y300) Rasterpunkte (ankreuzen) Zwei-Wege-Scan (markiert) Schlagzeit (0,4 ~ 0,5 ms) Einstellen der Punktleistung (markiert)	100	200
Lackiertes Metall		100	300
Waren aus Kunststoffen		100	500
Leder		100	500
Die Steine		100	200
Lackiertes Material		100	500

Farbbilder (Landschaften und Porträts)			
Lackiertes Metall	Umkehren (markiert) Graustufen (ankreuzen) Fixed DPI (x500 y500) Rasterpunkte (ankreuzen) Zwei-Wege-Scan (markiert) Schlagzeit (0,4 ~ 0,5 ms) Einstellen der Punktleistung (markiert)	100	500
Galvanisiertes Metall			
Oxidiertes Metall			
ABS			



# Häufig gestellte Fragen

## I. Die Maschine reagiert beim Einschalten nicht.

1. Power Connection Fehler: Überprüfen Sie die Steckdose, Schalter, Steckdose auf dem Körper, um sicherzustellen, dass sie richtig eingesteckt und Schalten Sie die Stromversorgung ein; Überprüfen Sie den Einschaltknopf auf dem Panel, um sicherzustellen, dass er gedrückt wird und das Knopflicht an ist.

## II. Kann nicht mit dem Computer verbunden werden

1. Kein USB-Kabel angeschlossen: Überprüfen Sie die Maschine-Maschine-Verbindung des USB-Kabels, um sicherzustellen, dass die Verbindung korrekt ist. Die

Die USB-Schnittstelle der Frontplatte einiger Desktop-Computer ist ausgefallen und muss an die Steckdose auf der Rückseite des Hosts angeschlossen werden.

2. Falsche Treiberinstallation: Folgen Sie den Anweisungen, um den Treiber zu installieren. Wenn der Computer das Gerät als serielle Schnittstelle identifiziert, Installation, Hardware-Anschluss kein Problem.

3. Andere Sonderfälle: Trennen Sie das USB-Kabel und die Stromversorgung. Wenn das Gerät 5 Sekunden lang vollständig ausgeschaltet ist, schließen Sie die Stromversorgung wieder an.

## III. Licht oder ohne Schnitzerei

1. Ungenau fokussieren: Lesen Sie den Abschnitt Fokussieren in der Bedienungsanleitung, um eine genaue Fokussierung zu erhalten.

2. Brenngeschwindigkeit: Ergebnis einer zu schnellen Brenngeschwindigkeit oder einer zu kurzen Brennzeit. Lesen Sie den Abschnitt Gravurparameter in der Bedienungsanleitung, um die Parameter neu einzustellen.

3. Flaches Bild: Das importierte Bild muss klar sein. Wenn die Linien zu dünn und die Farbe zu hell sind, wirkt sich dies direkt auf den Schnitzeffekt aus.

4. Platzierung von Objekten: Da die Brennweite des Lasers festgelegt ist, sollte das Objekt, das graviert werden muss, flach und parallel zum Körper sein. Wenn das zu gravierende Objekt einen Titel hat, ist die Brennweite ungenau, was zu einem abnormalen Gravureffekt führt.



## Service für Kunden:

➤ Para conocer la política de garantía detallada, visite nuestro sitio web oficial en: [www.atomstack.net](http://www.atomstack.net)

➤ Bitte melden Sie sich an: [support@atomstack.net](mailto:support@atomstack.net)

Fabricante: Shenzhen Atomic Stack Technology Co., Ltd.  
Adresse: 202, Gebäude 1, Mingliang Technology Park, Nr. 88 Z Huguang North Road, Tao Yuan Street, n Anshan District, S very real, Gebäude G des GU-Plans, China

## Grabado máquina de grabado de discisión



Laser Marking Machine

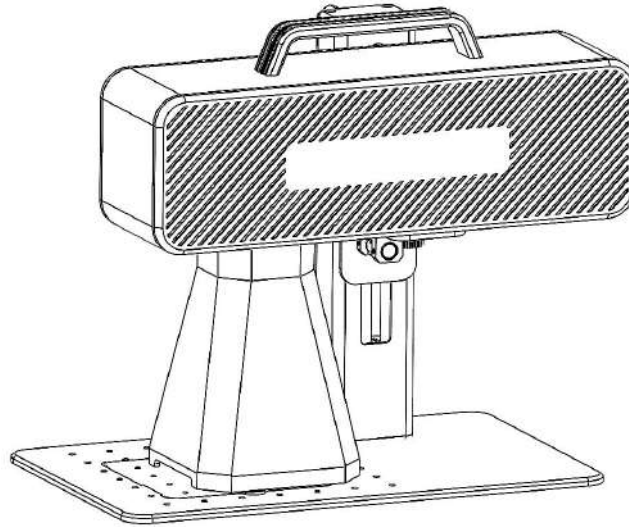
Aplicación del Escáner:

Lecto de Cordigos QR

Escáner de Código de barras

O cualquier APP con escáner

# Machine de marquage laser ATOMSTACK M4



- English
- Deutsch
- Français
- Italiano
- Español

Version F03-0078-0AA1: A

Remarque: Les images sont fournies à titre indicatif uniquement, sous réserve du produit réel.

Scannez le code QR pour plus d'informations.



Laser Marking Machine

# Partie 1: Déclaration de sécurité avant l'installation

**Veillez lire attentivement ce guide de sécurité avant d'utiliser une machine de marquage laser, qui mentionne les situations nécessitant une attention particulière et comprend des avertissements sur les pratiques dangereuses qui peuvent causer des dommages à votre propriété et même mettre en danger votre sécurité personnelle.**

1. Ce produit appartient à la catégorie 4 de produits laser, le système laser lui-même doit répondre aux exigences de la dernière version de IEC 60825-1, sinon l'utilisation est interdite.
2. Lors de la manipulation du produit, il est nécessaire de porter des lunettes de protection appropriées pour protéger les yeux des lasers (y compris la lumière réfléchie et parasite).
3. Parce que la découpe brûle le substrat, un faisceau laser de haute intensité peut générer des températures extrêmement élevées et une grande quantité de chaleur. Certains matériaux peuvent prendre feu pendant le processus de coupe, créant des gaz et des fumées à l'intérieur de l'équipement. Lorsque le faisceau laser frappe le matériau, une petite flamme apparaît généralement ici. Se déplace avec le laser et ne reste pas illuminé lorsque le laser passe. Ne laissez pas la machine sans surveillance pendant le traçage. Après utilisation, assurez-vous de nettoyer les débris, les débris et les matériaux inflammables dans la machine de marquage. Gardez toujours un extincteur disponible à proximité pour assurer la sécurité. Lors de l'utilisation de machines de marquage laser, de la fumée, de la vapeur, des particules et des matériaux potentiellement hautement toxiques (plastiques et autres matériaux combustibles) sont générés à partir des matériaux. Ces smog ou polluants atmosphériques peuvent être nocifs pour la santé.
4. Afin de prévenir les catastrophes inattendues telles que les incendies et les chocs électriques, la machine de marquage fournit un adaptateur secteur avec fil de terre. Lorsque vous utilisez la machine de marquage, branchez la fiche d'alimentation avec le fil de terre dans une prise de courant avec le fil de terre.
5. Lorsque la machine à tracer fonctionne, assurez-vous que le lieu de travail doit être nettoyé et qu'il n'y a pas d'objets inflammables et explosifs autour de l'équipement.

## Partie 2: Avertissements et avertissements

Ce produit n'est pas un jouet et ne convient pas aux personnes de moins de 15 ans.

Ce produit est un appareil laser. Veuillez scanner le code QR sur la couverture pour obtenir le "manuel d'utilisation" complet ainsi que les dernières instructions et avertissements d'utilisation. Toutes les informations contenues dans ce matériel ont été soigneusement examinées et s'il y a des erreurs typographiques ou des malentendus dans le contenu, veuillez nous contacter. Les améliorations techniques du produit (le cas échéant) seront ajoutées au nouveau manuel sans préavis. L'apparence et la couleur du produit peuvent changer.

Assurez-vous de lire attentivement ce document avant d'utiliser le produit pour comprendre vos droits légaux, vos responsabilités et vos instructions de sécurité; Sinon, cela peut entraîner des dommages matériels, des accidents de sécurité et des risques cachés pour la sécurité personnelle. Une fois que vous aurez utilisé ce produit, vous serez réputé avoir compris et accepté toutes les conditions et le contenu de ce document. L'utilisateur s'engage à être responsable de ses actes et de toutes les conséquences qui en découlent. L'utilisateur s'engage à n'utiliser le Produit qu'à des fins légitimes et accepte l'intégralité des termes et du contenu de ce document ainsi que toute politique ou directive connexe établie par AtomStack.

Vous comprenez et acceptez qu'Atomstack ne soit pas en mesure de vous fournir des dommages ou des dommages accidentels, à moins que vous ne fournissiez le fichier de marquage original, les paramètres de configuration du logiciel de marquage utilisé, des informations sur le système d'exploitation, une vidéo du processus de marquage et les étapes opérationnelles précédant le problème ou l'échec. Et vous fournir le service après-vente d'Atomstack.

Atomstack ne peut être tenu responsable de toute perte résultant de la non-utilisation du produit par l'utilisateur conformément aux présentes instructions et il est interdit à l'utilisateur de démonter lui-même la machine sans les instructions des techniciens de l'entreprise. Si un tel acte se produit, les pertes qui en résultent sont à la charge de l'utilisateur.

Atomstack a le droit final d'interpréter ce document, sous réserve des lois et règlements. Atomstack se réserve le droit de mettre à jour, modifier ou résilier les présentes Conditions sans préavis.

## Partie 3: Paramètres du produit

### Paramètres détaillés de la machine M4

Puissance du laser	5W
Température ambiante	0 °C ~ 35 °C
Précision de répétition	< 0,0001 mm
Profondeur de marquage	0,015-0,2 mm
Précision de marquage	M0,001mm
Vitesse de marquage	< 12m/s
Mode de refroidissement	Ventilateur intégré
Longueur d'onde	1064 nm
Gamme de marquage	70 * 70 mm
Largeur de marquage	0,001-0,05 mm
Poids du produit	6,77 kg
Dimensions du produit	315 mm * 200 mm * 273 mm (L*W*H)

## Partie 4: Liste de configuration



Cable USB



Clé USB



Cordon  
d'alimentation



Adaptateur secteur



Règle



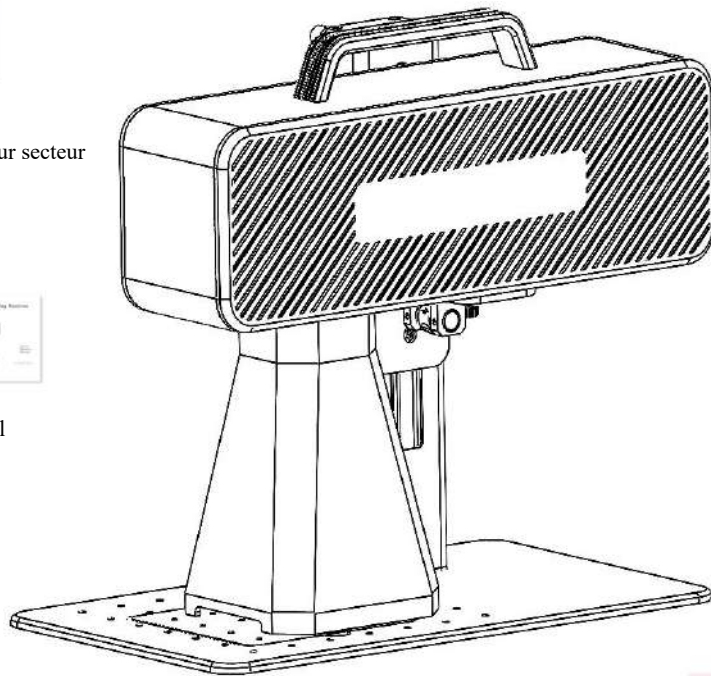
Plaque de  
positionnement



Les lunettes



Manuel



Clé hexagonale

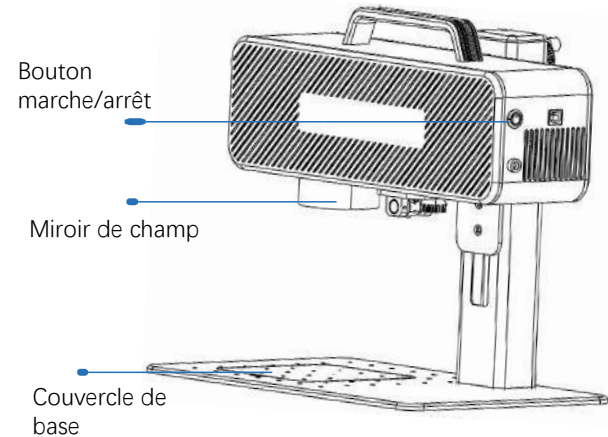
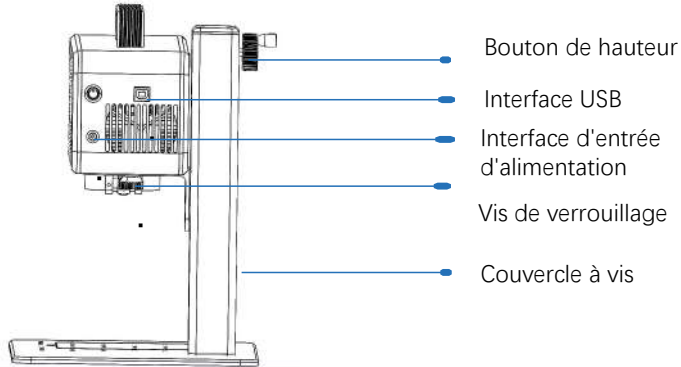
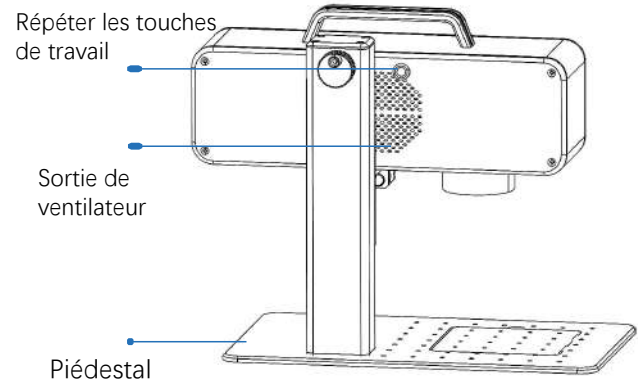
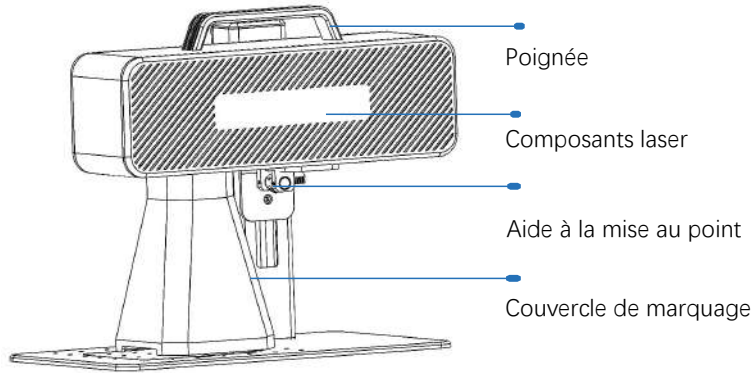


Papier d'étalonnage



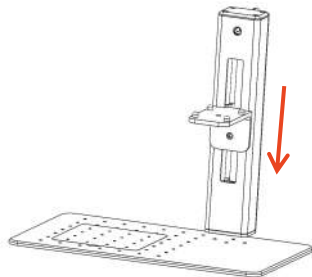
Mise au point du film

# Partie 5: Introduction à la structure du produit

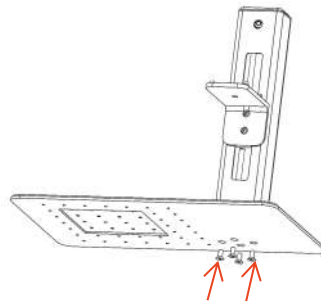




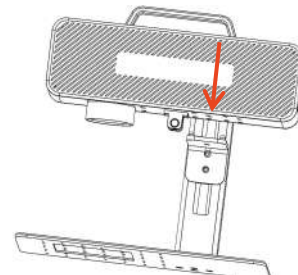
## Partie 6: Introduction aux méthodes d'assemblage du mode de travail de bureau



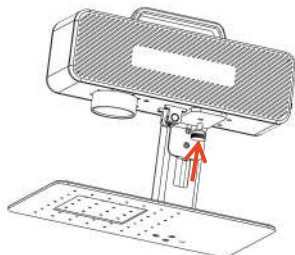
Étape 1: Préparez le bras de support et alignez les trous de montage sur la base



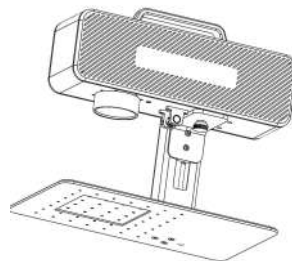
2. Installez 4 vis



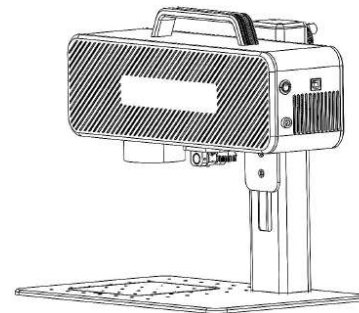
3. Installation de l'ensemble laser



Étape 4: Installez les vis de verrouillage des composants laser

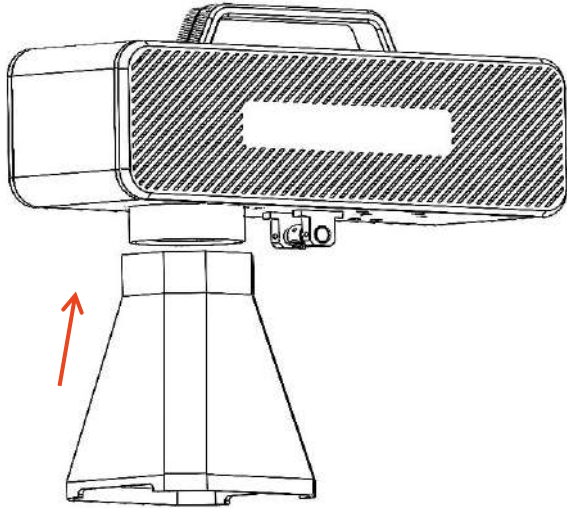


Étape 5: Serrez les vis du composant laser

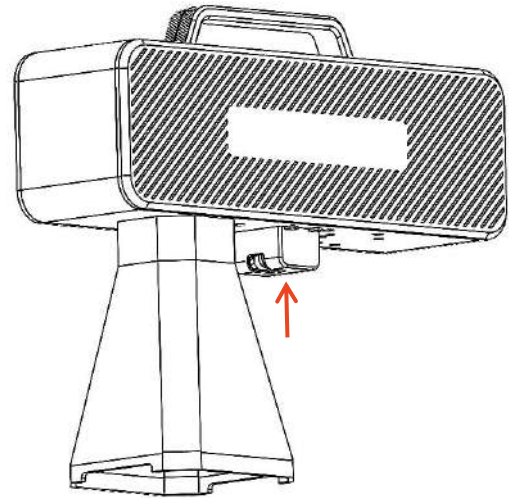


Étape 6: assemblage terminé

## Partie 7: Introduction aux méthodes d'assemblage en mode de travail portable

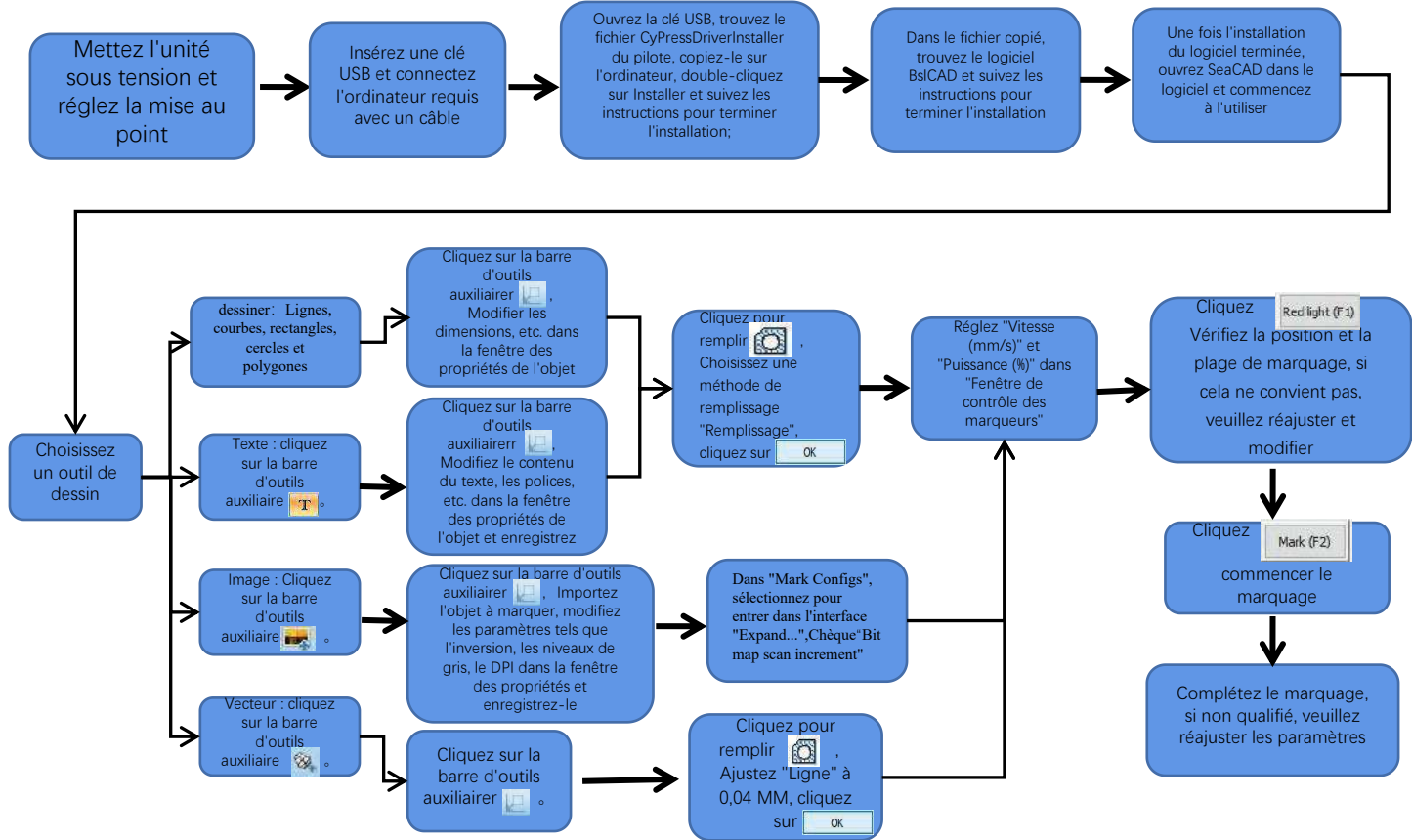


Étape 1: Installez le couvercle du marqueur



Étape 2: Installez le couvercle de protection auxiliaire de mise au point

# Part 8: Common operating procedures of the software

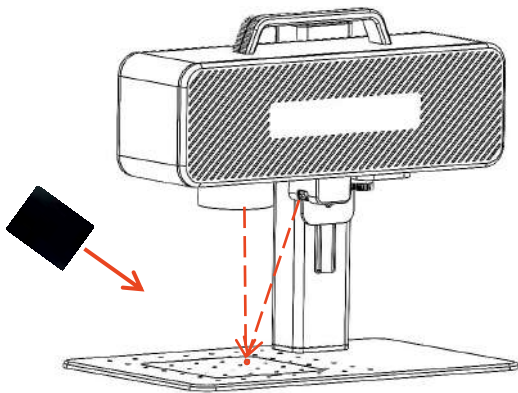


## Partie 9: Introduction aux méthodes axées sur les produits

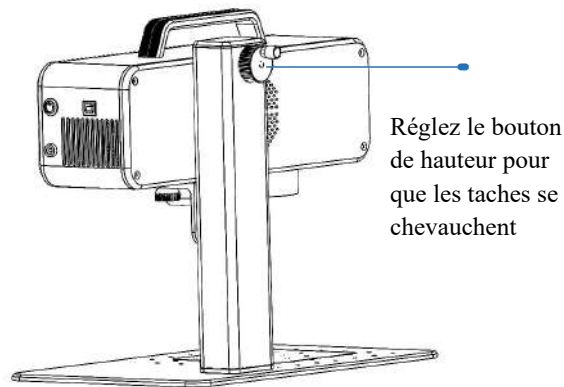
1. Mettez le papier de test, allumez l'interrupteur d'alimentation de la machine et ajustez le bouton de réglage de la hauteur afin que les deux taches rouges se chevauchent en un seul point, c'est-à-dire terminez le débogage de la mise au point. Sinon, continuez à ajuster.

Remarque: Si les deux taches lumineuses ne coïncident pas, une petite déviation affecte l'effet de traçage et la machine de traçage ne peut pas fonctionner lorsque la déviation est importante;

2. Cette machine est équipée d'une règle qui mesure la distance entre la tête laser et l'objet gravé pour régler la mise au point. La distance entre les deux est de 130 mm, car il peut y avoir des erreurs d'assemblage, veuillez vous référer à la mesure réelle.



Placez le film de mise au point sur le point où le spot est concentré et ajustez le bouton de hauteur pour que le spot se chevauche.



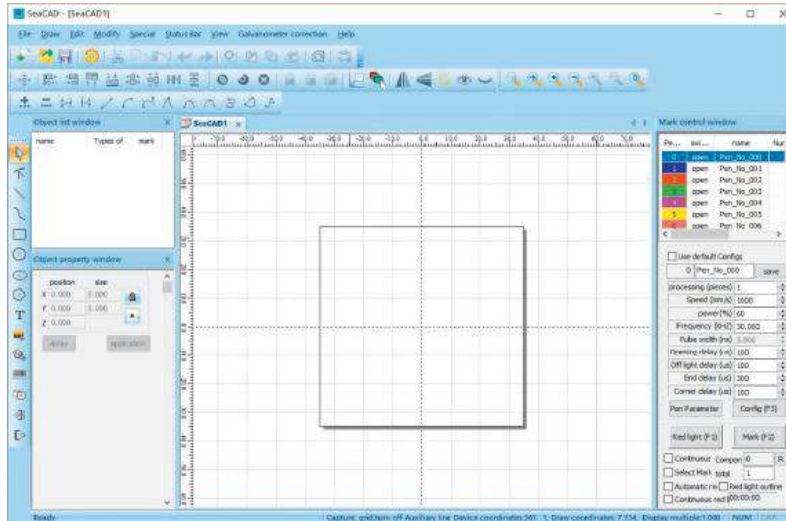
# Partie 10: Acquisition et installation de logiciels

## Méthode 1:

1. Allumez la puissance de la machine de notation et utilisez le câble de données pour connecter l'ordinateur qui nécessite l'installation du logiciel de notation;
2. Ouvrez la clé USB attachée à l'ordinateur, extraire le fichier "logiciel de gravure BSL" sur le bureau de l'ordinateur, ouvrir le dossier décompressé et envoyer "AtomStack" au raccourci de bureau;
3. Installez le fichier de pilote "Drive\win7\win8\win10-x64.exe" dans votre clé USB. Une fois l'installation réussie, double-cliquez sur le raccourci de bureau "AtomStack" pour lancer le logiciel de gravure.

## Méthode 2:

En cas de perte de la clé USB attachée ou de suppression accidentelle du logiciel, l'utilisateur peut se connecter au site officiel [www.atomstack.net](http://www.atomstack.net) pour obtenir le logiciel. Les étapes d'installation sont les mêmes que la méthode



# Partie 11: Description des fonctions logicielles



Barre d'outils système



Aligner la barre d'outils



La barre d'état



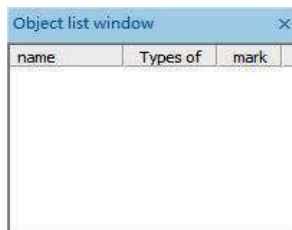
Barre d'outils Accessiibty



Barre d'édition du nœud



Zoom sur la barre d'outils



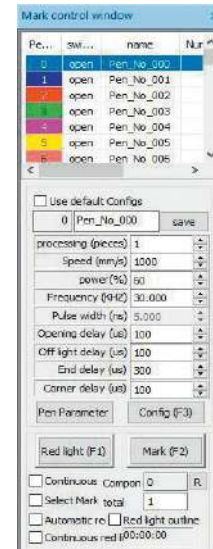
Fenêtre de liste d'objets



Fenêtre des propriétés de l'objet

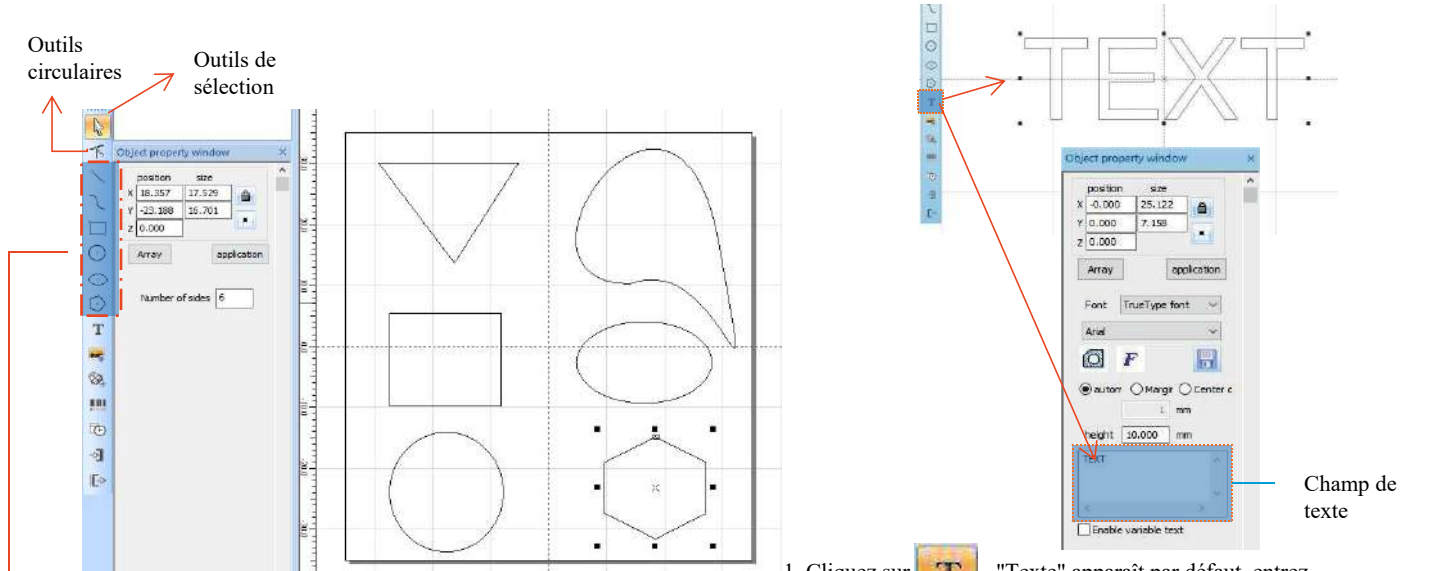


Dessiner la barre d'outils




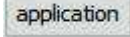
Fenêtre de contrôle des étiquettes


# Partie 12: Description des fonctions courantes




De haut en bas, ils sont utilisés pour dessiner: lignes droites, courbes, rectangles, cercles et polygones

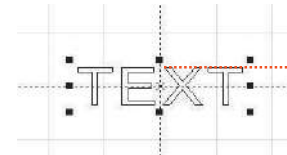
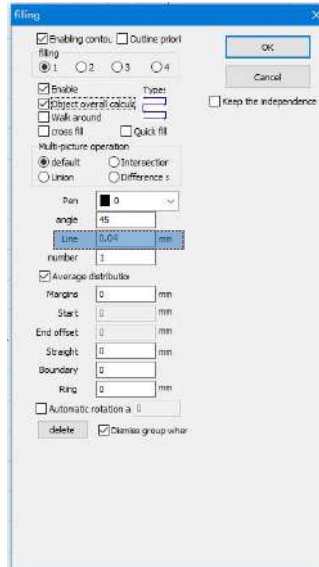
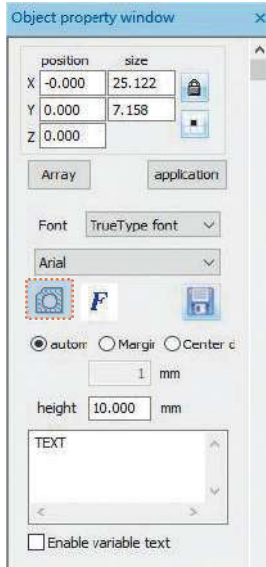
1. Cliquez sur , "Texte" apparaît par défaut, entrez

Champ de texte et cliquez sur  entrée de texte complète de l'application.

 Le remplissage de texte doit être rempli pour travailler sur l'objet à sculpter.

 Un outil de texte pour définir l'alignement, l'espacement des caractères, l'arc de texte, l'angle et d'autres paramètres.

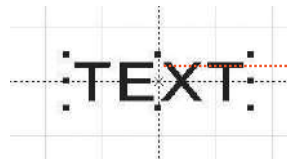
# Partie 13: Dessin de texte



Avant de lancer




Amplification sans remplissage



Après le lancer



Amplification du remplissage

1. Cliquez  pour ouvrir la fenêtre des paramètres de remplissage;

2. Il n'est pas nécessaire de définir d'autres paramètres pour la gravure de texte. Seule la "ligne" doit être changée. La valeur par défaut est 0,04.

Remarque: "Ligne" est la densité de clignotement du texte. Plus la valeur est élevée, plus la vitesse de gravure est élevée et plus la couleur de gravure est claire; Plus la valeur est petite, plus la vitesse de gravure est faible et plus la couleur de gravure est foncée;

La sculpture sur des matériaux de peinture tels que le métal de couleur primaire, la peinture et la peinture cuite, la peinture oxydée, le métal galvanisé, le plastique et le cuir offre les meilleurs résultats.



# Partie 14: Traitement des images (portraits/photos couleur)

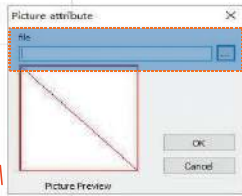


Figure 2

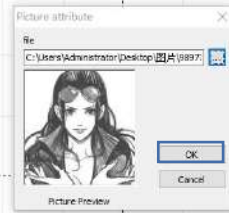





Figure 3



Figure 4

1. Cliquez sur  la fenêtre pop-up "Image attribute", cliquez sur  pour sélectionner l'image et cliquez sur  Confirmer Importation d'images.

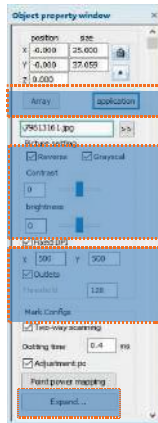


Figure 1

Figure 5



Figure 6

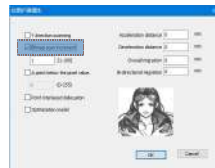


Figure 7

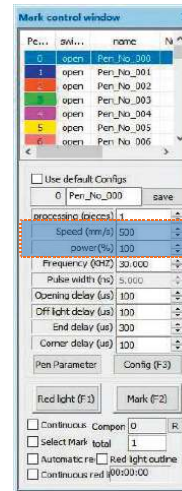
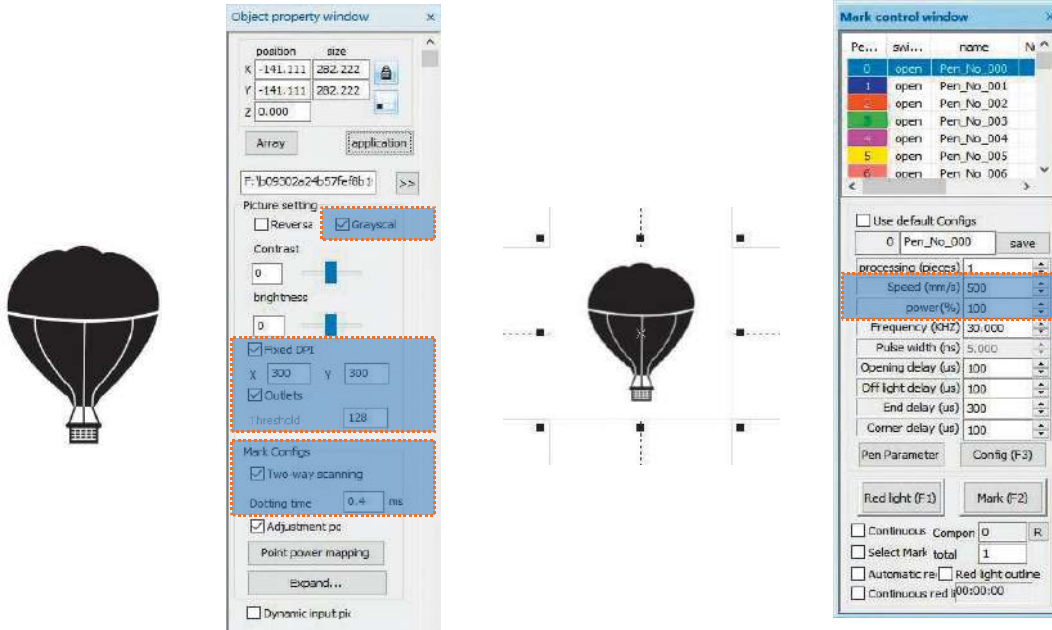


Figure 8

2. Ajustez l'image à la bonne taille;
3. Cochez "Inverser" "Niveau de gris" "DPI fixe" (X et Y paramètres d'entrée 500) et "Sortie" dans la fenêtre des paramètres d'image,
4. Cochez "balayage bidirectionnel" dans la fenêtre "Configuration de marqueur", entrez 0.4 dans " temps de frappe ";
5. Dans "Mark Configs", sélectionnez pour entrer dans l'interface "Expand...", Chèque "Bitmap scan increment"
6. Paramètres de gravure réglés. Réglez "Vitesse (mm/s)" à 500 et "Puissance (%)" à 100.

Remarque: La sculpture de portraits/photos en couleur sur de la peinture, le métal peint/le métal galvanique peint à l'oxyde peut produire les meilleurs résultats.

# Partie 15: Traitement d'image (bitmap normal)



The image displays two software windows side-by-side. The left window is titled "Object property window" and shows a black hot air balloon icon. Below the icon, there are several sections: "Picture setting" with checkboxes for "Reverse" (unchecked) and "Grayscale" (checked), a "Contrast" slider at 0, and a "brightness" slider at 0; "Fixed DPI" with checkboxes for "Fixed DPI" (checked) and "Outlets" (checked), and "X" and "Y" values set to 300; "Mark Configs" with checkboxes for "Two way scanning" (checked), "Dotted time" set to 0.4 ms, and "Adjustment:pc" (checked); and a "Point power mapping" button. The right window is titled "Mark control window" and shows a list of pen parameters. The list has columns for "Pen No.", "name", and "value". The first row is highlighted in blue. Below the list, there are several numerical settings: "processing (pieces)" set to 1, "Speed (mm/s)" set to 500, "power (%)" set to 100, "Frequency (kHz)" set to 30,000, "Pulse width (ns)" set to 5,000, "Opening delay (us)" set to 100, "Off light delay (us)" set to 100, "End delay (us)" set to 300, and "Corner delay (us)" set to 100. There are also buttons for "Pen Parameter", "Contig (F2)", "Red light (F1)", and "Mark (F2)".

Ajustez l'image à la bonne taille;

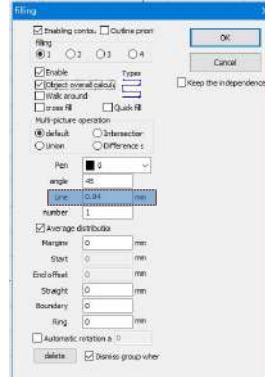
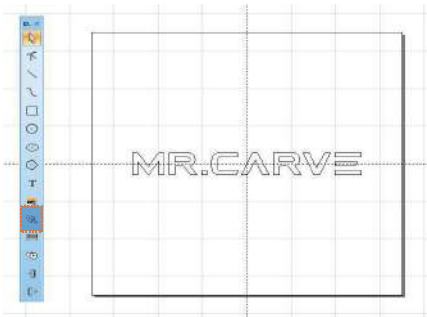
Cochez "Niveau de gris" et "DPI fixe" (X et Y paramètres d'entrée 300) et "Sortie" dans la fenêtre des paramètres d'image;


Cochez "Balayage bidirectionnel" dans la fenêtre "Configuration des balises" et entrez 0.4 dans "Temps de frappe";

Paramètres de gravure. Réglez "Vitesse (mm/s)" à 500 et "Puissance (%)" à 100.

Remarque: La sculpture sur des matériaux de peinture tels que le métal de couleur primaire, la peinture et la peinture cuite, la peinture oxydée, le métal galvanisé, le plastique et le cuir offre les meilleurs résultats.

# Partie 16: Contrôle du marquage



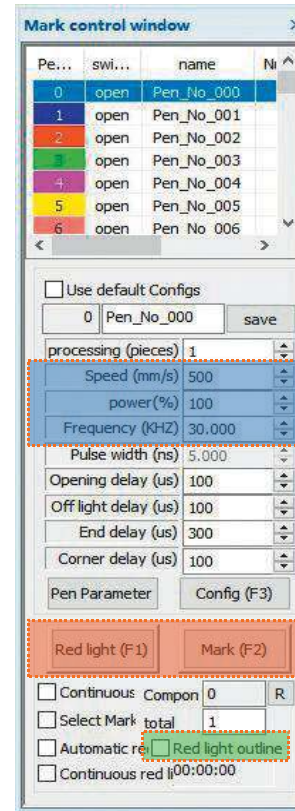
1. Cliquez  pour importer des fichiers vectoriels au format PLT, DWG, AL;

2. Les fichiers vectoriels importés doivent être traités par fled avant la gravure. N'est pas nécessaire de définir d'autres paramètres pour le remplissage du fichier vectoriel. Seule la "ligne" doit être changée. La valeur par défaut est 0,04



Remarque: La "ligne" est la densité de remplissage du texte. Plus la valeur est élevée, plus la vitesse de gravure est élevée, plus la couleur de gravure est claire, plus la valeur est petite, plus la vitesse de gravure est faible et plus la couleur de gravure est foncée.

La sculpture sur des matériaux de peinture tels que le métal de couleur primaire, la peinture et la peinture cuite, la peinture oxydée, le métal galvanisé, le plastique et le cuir offre les meilleurs résultats.



Ajustement des paramètres recommandés  
 Vitesse (mm/s): 500  
 Puissance (%): 100  
 Fréquence (kHz): 30

Rouge (F1): prévisualise la position de gravure actuelle, mode de prévisualisation rectangulaire rouge  
 Marque (F2): début de la gravure

Cochez cette option pour définir le mode d'aperçu des contours.

## Partie 17: Référence aux paramètres de gravure de différents matériaux

Images, textes et fichiers vectoriels			
Matériaux	Espacement des lignes	Puissance	Vitesse
Métaux	0,01 ou 0,005 ou 0,001	100	300 ou 500
Métal laqué	0,005 ou 0,001	100	500
Produits en matières plastiques	0.05	100	1000 ou 1500
Cuir	0,005 ou 0,001	100	1000 ou 1500
Stone	0.01	100	500
Verre laqué	0.05	100	500
Matériau de finition laqué	0.05	100	1000 ou 1500

Images en noir et blanc (bitmap normal)			
Matériaux	Paramètres de l'image	Puissance	Vitesse
Métaux	Niveaux de gris (coché) DPI fixe (x300 y300) Grille (cochée) Balayage bidirectionnel (coché) Temps de traitement (0,4 à 0,5 ms) Régler la puissance du point (coché)	100	200
Métal laqué		100	300
Produits en matières plastiques		100	500
Cuir		100	500
Stone		100	200
Matériau de finition laqué		100	500
Images en couleur (paysages et portraits)			
Métal laqué	Inversion (cochée) Niveaux de gris (coché) DPI fixe (x500 y500) Grille (cochée) Balayage bidirectionnel (coché) Temps de traitement (0,4 à 0,5 ms) Régler la puissance du point (coché)	100	500
Métal galvanisé			
Oxyde de métal			
ABS			

# Foire aux questions

## I. La machine ne répond pas au démarrage.

1. Défaillance de la connexion d'alimentation: vérifiez les prises, interrupteurs et prises sur le corps pour vous assurer qu'elles sont correctement branchées et

Mise sous tension; Vérifiez le bouton d'alimentation sur le panneau pour vous assurer qu'il est enfoncé et que la lumière du bouton est allumée.

## II. Impossible de se connecter à un ordinateur

1. Câble USB non connecté: Vérifiez l'interconnexion machine du câble USB pour vous assurer que la connexion est correcte. De l'interface USB du panneau avant de certains ordinateurs de bureau a échoué et doit être connectée à une prise à l'arrière de l'hôte.

2. Le pilote n'est pas installé correctement: suivez les instructions pour installer le pilote. Si l'ordinateur identifie le périphérique comme un port série Installation, branchement matériel sans problème.

3. Autres cas particuliers: Débranchez le câble USB et l'alimentation. Lorsque l'appareil est complètement hors tension pendant 5 secondes, branchez à nouveau l'alimentation.

## III. Sculpté à la lumière ou sans sculpture

1 . Mise au point inexacte: lisez la section mise au point du manuel d'utilisation pour obtenir une mise au point précise.

2 . Vitesse de gravure: résultat d'une vitesse de gravure trop rapide ou d'un temps de gravure trop court. Lisez la section Paramètres de gravure dans le manuel d'utilisation pour réajuster les paramètres.

3 . Images peu profondes: les images importées doivent être claires. Si les lignes sont trop fines et que la couleur est trop claire, cela affectera directement l'effet de gravure.

4 . Placement des objets: En raison de la distance focale fixe du laser, les objets à graver doivent être plats et parallèles au corps. Si l'objet à graver a un titre, la distance focale est inexacte, ce qui entraîne un effet de gravure anormal.



## Services aux clients:

➤ Para conocer la Política de Garantía detallada, visite nuestro sitio web oficial en: [www.atomstack.net](http://www.atomstack.net)

➤ Para soporte técnico y servicio, envíe un correo electrónico a: [support@atomstack.net](mailto:support@atomstack.net)

Fabricante: Shenzhen Atomic Stack Technology Co., Ltd.  
Adresse: 202, bâtiment 1, parc technologique de Mingliang, n°  
88 Z route nord de Huguang, rue tao yuan, district de n  
Anshan, S très réel, bâtiment G du plan GU, Chine

## Máquina de grabado de discisión



Laser Marking Machine

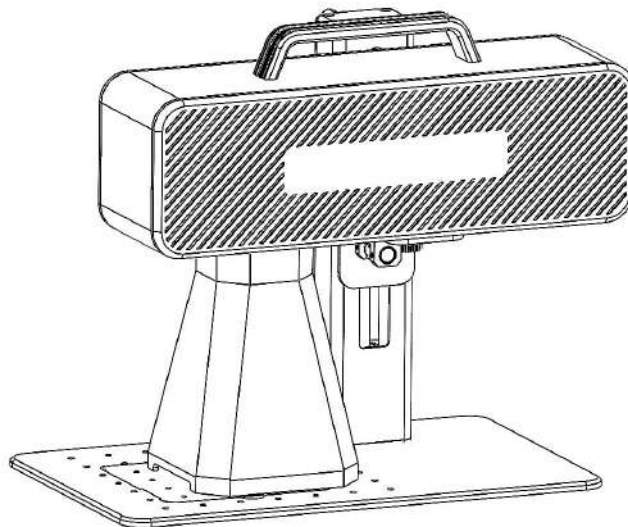
Aplicación del Escáner:

Lecto de Codigos QR

/Escáner de Código de barras

O cualquier APP con escáner

# Macchina per marcatura laser ATOMSTACK M4



Nota: l'immagine è solo di riferimento, prevarrà il prodotto reale.

***Per ulteriori informazioni, scansiona il codice QR.***

- English
- Deutsch
- Français
- Italiano
- Español

F03-0078-0AA1 Version: A



Laser Marking Machine



# Parte 1: Dichiarazione di sicurezza prima dell'installazione

**Prima di utilizzare la macchina per marcatura laser, leggere attentamente questa guida alla sicurezza, che menziona situazioni che richiedono particolare attenzione e include avvertenze su pratiche non sicure che possono causare danni alla proprietà o addirittura mettere a repentaglio la sicurezza personale.**

**PM** prodotto appartiene ai prodotti laser di Classe 4, il sistema laser stesso deve soddisfare i requisiti dell'ultima versione IEC 60825-1, altrimenti è vietato l'uso del prodotto.

**QM** Quando si maneggia il prodotto, è necessario indossare occhiali adeguati per proteggere gli occhi dalla luce laser, inclusa la luce riflessa e quella diffusa.

**RM** Poiché il taglio brucia il substrato, un raggio laser ad alta intensità genera temperature estremamente elevate e molto calore. Alcuni materiali possono incendiarsi durante il taglio, creando gas e fumi all'interno dell'apparecchiatura. Qui di solito appare una piccola fiamma quando un raggio laser colpisce il materiale. Si muoverà con il laser e non resterà illuminato quando il laser passa. Non lasciare la macchina incustodita durante il processo di marcatura. Dopo l'uso, assicurarsi di ripulire la macchina da marcatura da detriti, detriti e materiali infiammabili. Tieni sempre un estintore disponibile nelle vicinanze per garantire la sicurezza. Quando si utilizzano macchine per marcatura laser, dal materiale vengono prodotti fumo, vapore, particelle e materiali potenzialmente altamente tossici (plastica e altri materiali combustibili). Questi fumi o inquinanti atmosferici possono essere pericolosi per la salute.

**SM** Per prevenire disastri accidentali come incendi e scosse elettriche, la macchina per marcatura fornisce un adattatore di alimentazione con filo di terra. Quando si utilizza la macchina per marcare, inserire la spina in una presa di corrente dotata di filo di terra.

**TM** Quando la macchina per marcatura è in funzione, assicurarsi che il posto di lavoro sia pulito e che non siano presenti materiali infiammabili ed esplosivi attorno all'attrezzatura.

## Parte 2: Dichiarazione di non responsabilità e avvertenza

Questo prodotto non è un giocattolo e non è adatto a persone di età inferiore a 15 anni.

Questo prodotto è un dispositivo laser. Si prega di scansionare il codice QR sulla copertina per ottenere il "Manuale utente" completo e le istruzioni e le avvertenze più recenti. Tutte le informazioni contenute in questo materiale sono state attentamente esaminate, se sono presenti errori tipografici o incomprensioni nel contenuto, contattaci. Eventuali miglioramenti tecnici del prodotto verranno aggiunti al nuovo Manuale senza ulteriore preavviso. L'aspetto e il colore del prodotto sono soggetti a modifiche.

Si prega di leggere attentamente questo documento prima di utilizzare il prodotto per comprendere i propri diritti legali, le responsabilità e le istruzioni di sicurezza; In caso contrario, potrebbero verificarsi perdite di proprietà, incidenti di sicurezza e pericoli nascosti per la sicurezza personale. Una volta utilizzato questo prodotto, si ritiene che tu abbia compreso e accettato tutti i termini e i contenuti di questo documento. L'utente si impegna ad essere responsabile delle proprie azioni e di tutte le conseguenze che ne derivano. L'utente accetta di utilizzare il Prodotto solo per scopi legittimi e accetta tutti i termini e i contenuti del presente documento e qualsiasi politica o linea guida pertinente che AtomStack possa stabilire.

Comprendi e accetti che Atomstack potrebbe non essere in grado di fornirti danni o danni accidentali a meno che tu non fornisca i file di marcatura originali, i parametri di configurazione del software di marcatura utilizzato, le informazioni sul sistema operativo, i video del processo di marcatura e le fasi operative prima del verificarsi del problema o del guasto. motivi e per fornirti il servizio post-vendita di Atomstack.

Atomstack non è responsabile per tutte le perdite derivanti dal mancato utilizzo del prodotto da parte dell'utente in conformità al presente manuale. Senza la guida del personale tecnico dell'azienda, agli utenti è vietato smontare la macchina da soli. Se si verifica questo comportamento, la perdita causata dall'utente sarà a carico dell'utente.

Atomstack ha il diritto ultimo di interpretare il documento, soggetto al rispetto della legge. Atomstack si riserva il diritto di aggiornare, modificare o risolvere i Termini senza preavviso.

## Parte 3: parametri del prodotto

### Parametri dettagliati della macchina M4

Potenza del laser	5W
Temperatura ambiente	0°C~35°C
Precisione di ripetizione	<0.0001 mm
Profondità di marcatura	0.015-0.2mm
Precisione della marcatura	M0.001mm
Velocità di marcatura	<12m/s
Metodo di raffreddamento	Build-in fan
Lunghezza d'onda	1064nm
Intervallo di marcatura	70*70mm
Larghezza di marcatura	0.001-0.05mm
Peso del prodotto	6.77kg
Dimensioni del prodotto	315mm* 200mm* 273mm (L*W*H)

## Parte 4: elenco di configurazione



Cavo USB



Chiavetta USB



Cavo di alimentazione



Adattatore di alimentazione



Governati



Piastra di  
posizionamento



Occhiali



Manuale



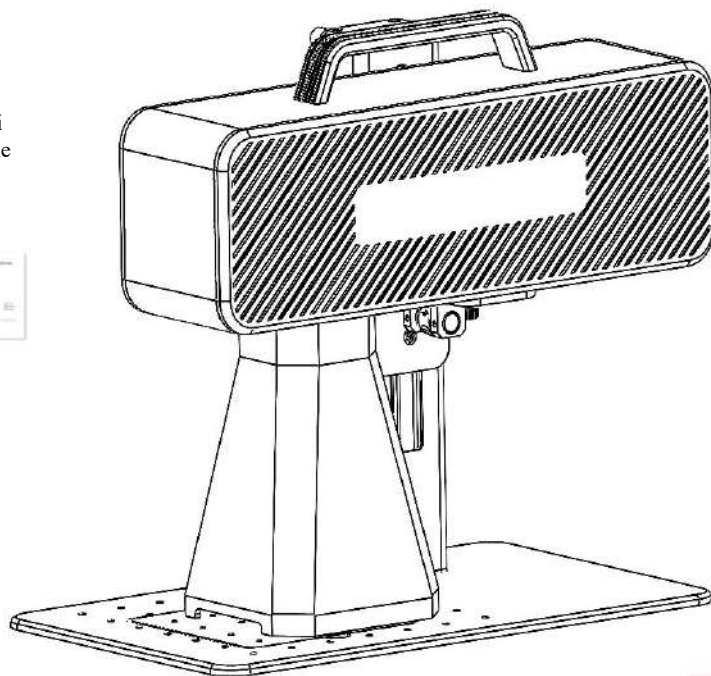
Chiave esagonale



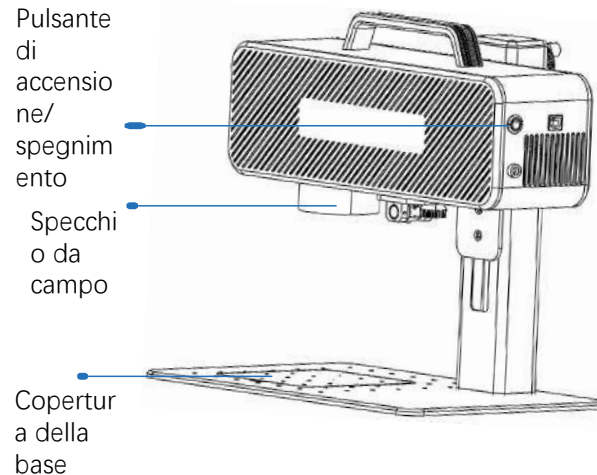
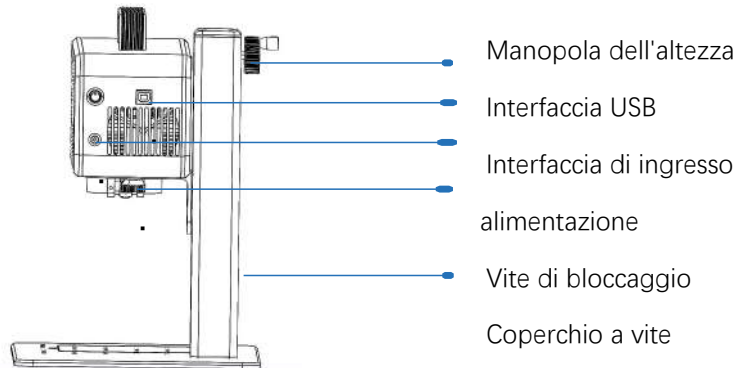
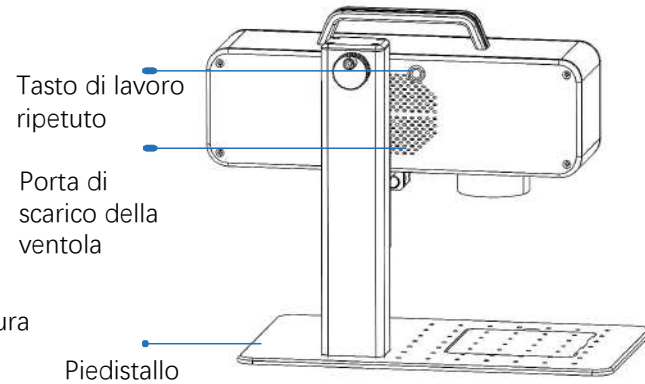
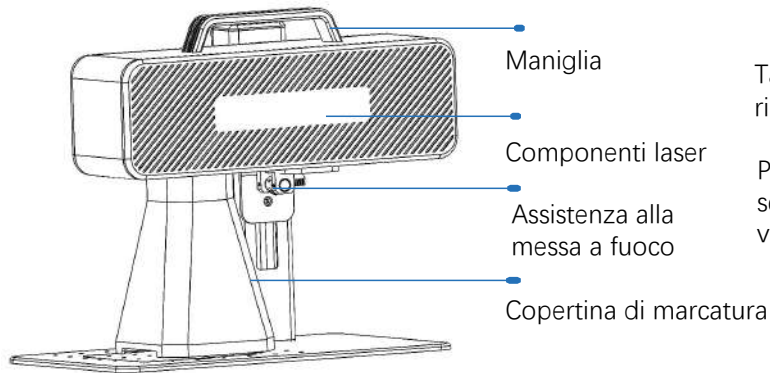
Carta di calibrazione



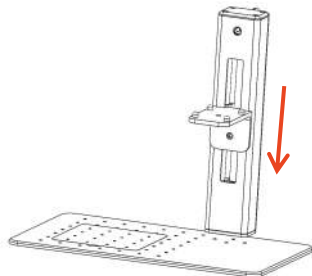
Focalizza la pellicola



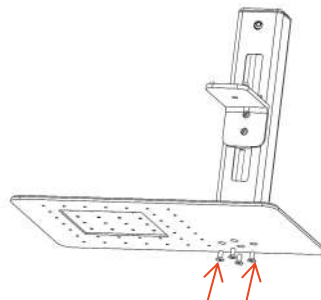
## Parte 5: Introduzione alla struttura del prodotto



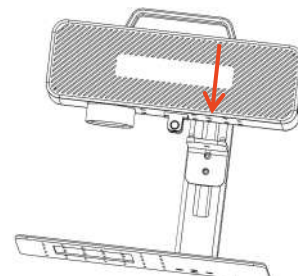
## Parte 6: Introduzione al metodo di assemblaggio della modalità di lavoro desktop



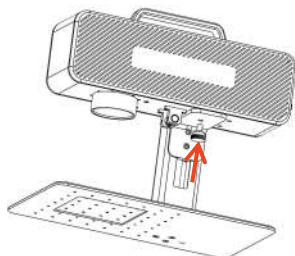
**passaggio 1:** preparare il braccio di supporto e allineare i fori di montaggio sulla base



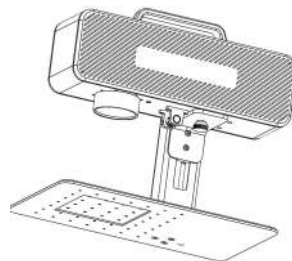
**passaggio 2:** installare 4 viti



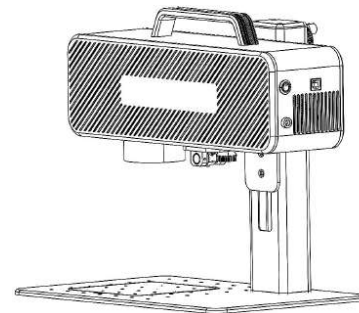
**passaggio 3:** installare il gruppo laser



**passaggio 4:** installare la vite di bloccaggio del gruppo laser

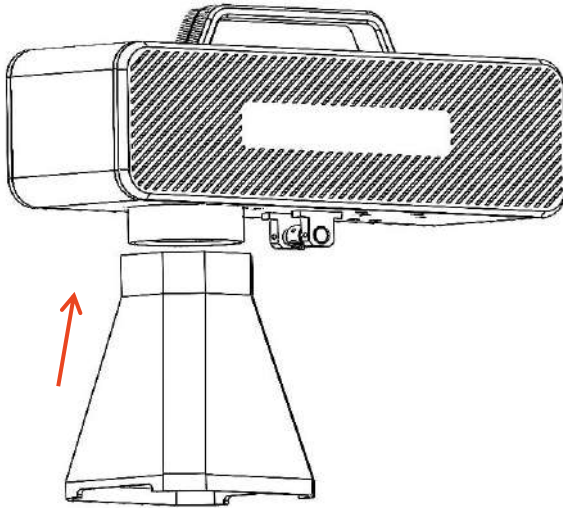


**passaggio 5:** stringere le viti del gruppo laser

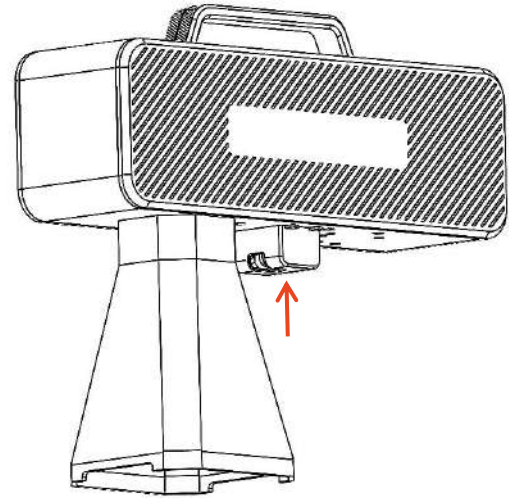


**passaggio 6:** l'assemblaggio è completo

## Parte 7: Introduzione al metodo di assemblaggio della modalità di lavoro manuale

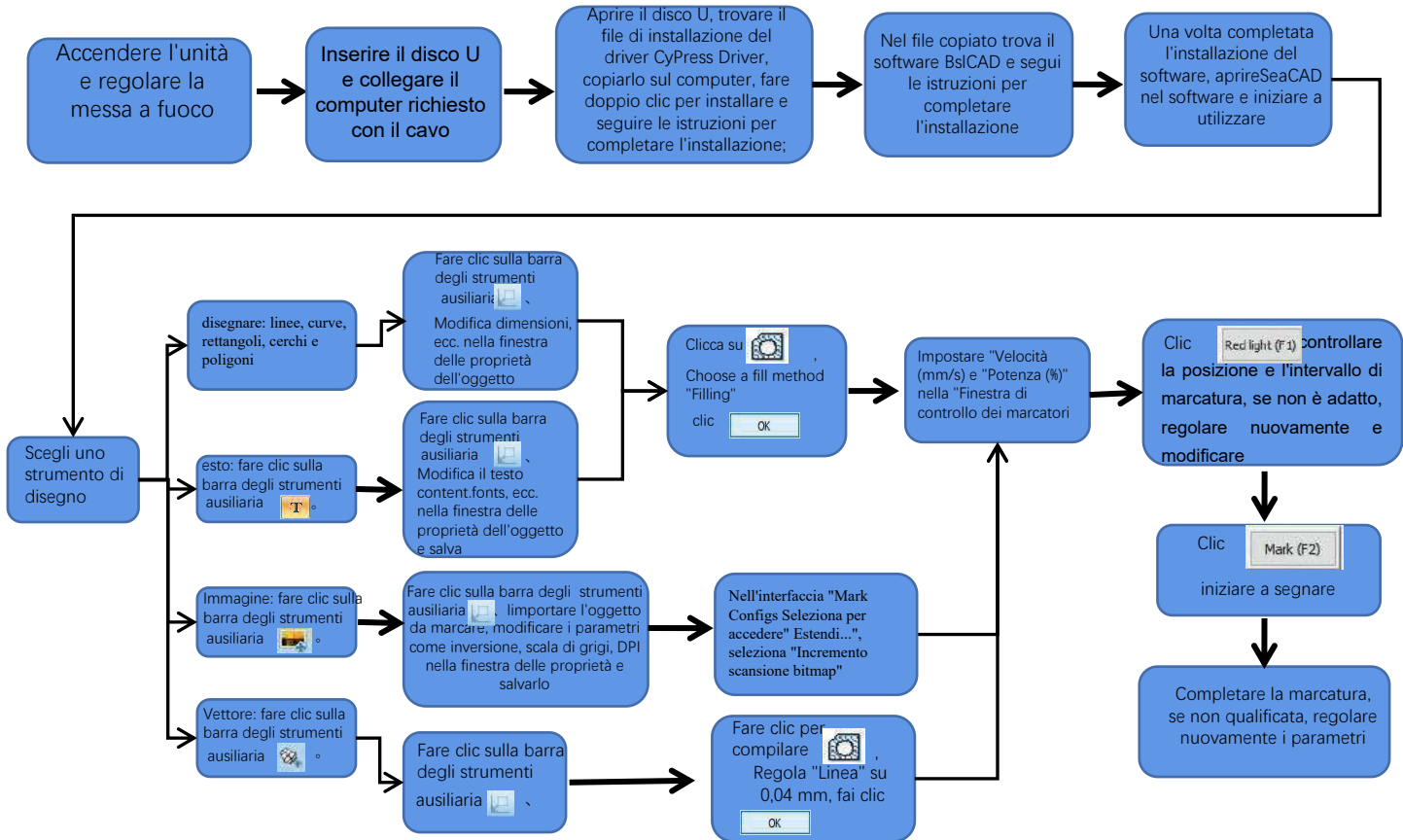


**passaggio 1:** installare il coperchio di marcatura



**passaggio 2:** installazione  
della copertura protettiva Focus  
Assist

# Parte 8: Procedure operative comuni del software



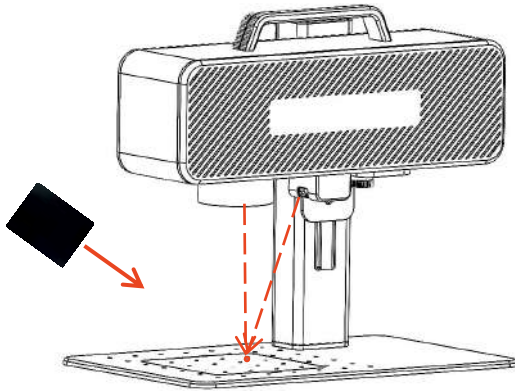


# Parte 9: Introduzione al metodo di focalizzazione del prodotto

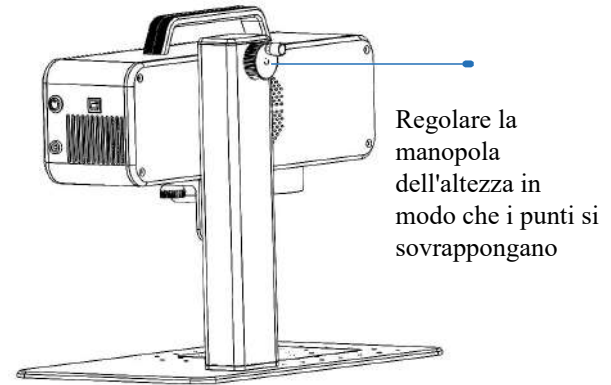
1. Inserire la carta di prova per la marcatura, accendere l'interruttore di alimentazione della macchina e regolare la manopola di regolazione dell'altezza in modo che i due punti luminosi rossi si sovrappongano in un punto luminoso, ovvero il debug della messa a fuoco sia completato. Altrimenti continua ad adattarti.

Nota: se i due punti luminosi non si sovrappongono, l'effetto di marcatura verrà influenzato quando la deviazione è piccola e la macchina per marcatura non potrà funzionare quando la deviazione è ampia;

2. C'è un righello dotato di questa macchina per misurare la distanza tra la testa del laser e l'oggetto inciso per regolare la messa a fuoco. La distanza tra i due è di 130 mm, poiché potrebbero esserci errori nell'assemblaggio, fare riferimento alla misurazione effettiva per i dettagli.



Posiziona la pellicola di messa a fuoco nel punto in cui è concentrato il punto luminoso e regola la manopola dell'altezza per sovrapporre i punti luminosi.



Regolare la manopola dell'altezza in modo che i punti si sovrappongano

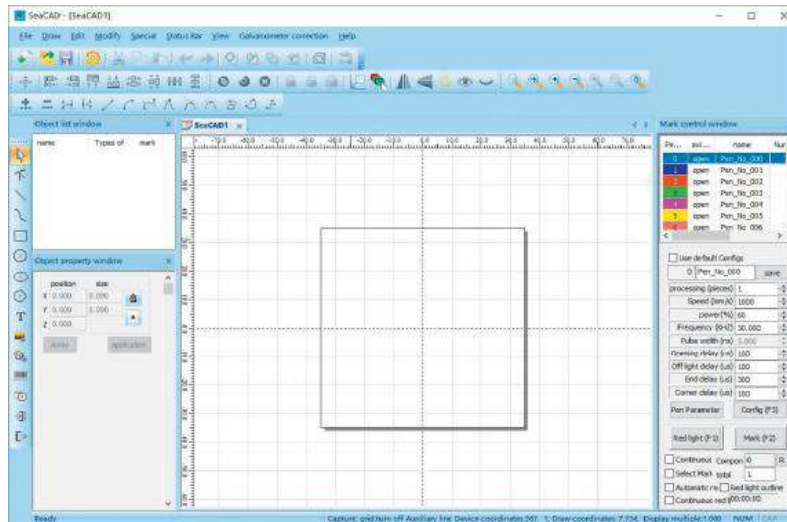
# Parte 10: Acquisizione e installazione del software

## Metodo I:

1. Accendere la macchina per marcatura e utilizzare il cavo dati per collegare il computer su cui deve essere installato il software di marcatura;
2. Aprire il disco U allegato sul computer, estrarre il file "software di incisione BSL" sul desktop del computer, aprire la cartella decompressa e inviare "ATOMSTACK" al collegamento sul desktop;
3. Installare il file del driver "Drive\win7win8win10-x64.exe" nel disco U. Al termine dell'installazione, fare doppio clic sul collegamento sul desktop
4. "ATOMSTACK" per avviare il software di incisione.

## Metodo II:

Nel caso in cui il disco U allegato venga smarrito o il software venga eliminato per errore, gli utenti possono accedere al sito Web ufficiale [www.atomstack.net](http://www.atomstack.net) per ottenere il software. I passaggi di installazione sono gli stessi del metodo.



Pagina aperta dal software

# Parte 11:Descrizione delle funzioni del software



Barra degli strumenti di sistema



Allinea la barra degli strumenti



Barra di stato



Barra degli strumenti di accessibilità



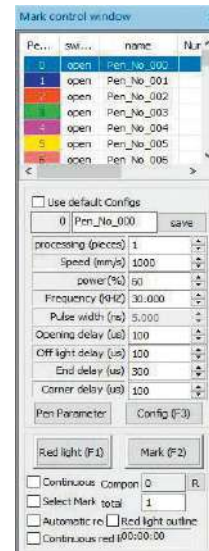
Barra di modifica del nodo



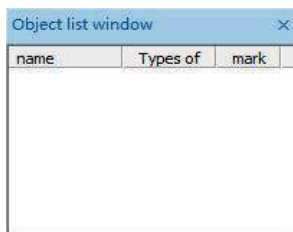
Barra degli strumenti Zoom



Disegna barra degli strumenti



Segna la finestra di controllo



Finestra elenco oggetti

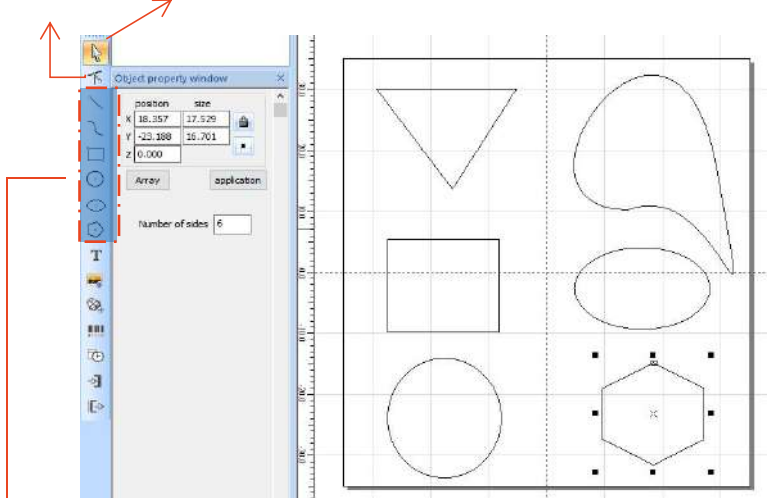


Finestra delle proprietà dell'oggetto

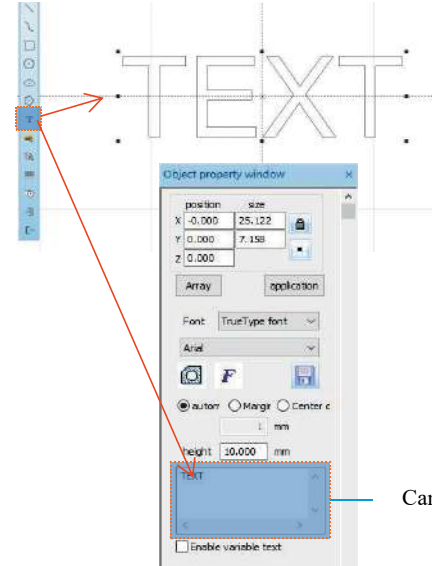
# Parte 12: Descrizione del disegno della forma delle funzioni comuni

Strumento rotondo


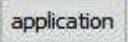
Strumento di selezione



Dall'alto al basso, vengono utilizzati per disegnare: linee, curve, rettangoli, cerchi e poligoni



Campo di testo

1. Fare clic  e per impostazione predefinita viene visualizzato il messaggio "TESTO". Inserisci le parole nel campo di testo e fai clic  immissione del testo completo dell'applicazione.

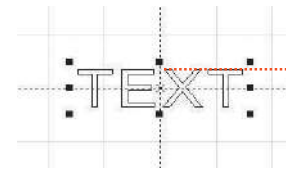
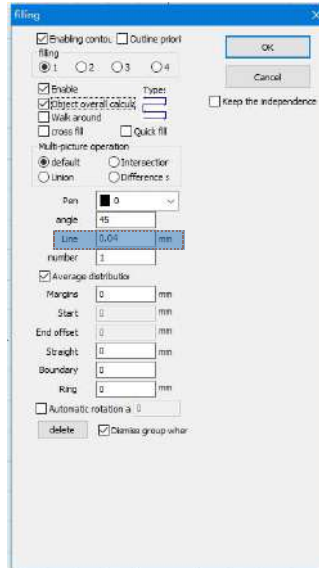
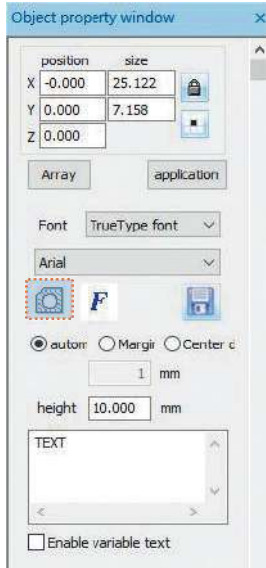


Il riempimento del testo deve essere riempito per lavorare sull'oggetto da scolpire.

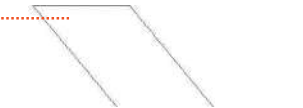


Uno strumento di testo per impostare l'allineamento, la spaziatura dei caratteri, il testo ad arco, l'angolo e altri parametri.

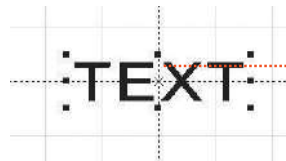
# Parte 13: disegno del testo



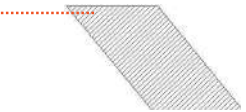
Prima del riempimento




Zoom-in del non-archiviazione



Dopo il riempimento



Ingrandimento del riempimento

1. Clic  per aprire la finestra Impostazioni di riempimento;

2. Non è necessario impostare altri parametri per l'intaglio del testo. Bisogna cambiare solo la "linea". Il valore predefinito è 0,04.

Note: "Linea" è la densità di riempimento del testo. Maggiore è il valore, maggiore è la velocità di intaglio, più chiaro sarà il colore di intaglio; minore è il valore, minore è la velocità di intaglio, più profondo è il colore di intaglio;

L'intaglio su metallo di colore primario, vernice e vernice da forno, superficie della vernice ossidata, metallo galvanico, plastica, pelle e altri materiali vernicianti forniscono gli effetti migliori.

# Parte 14: Elaborazione delle immagini (Ritratto/Foto a colori)

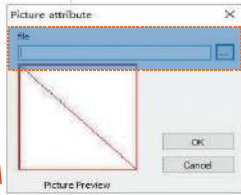


Figura 2



Immagine 3



Figura 4

1. Clic  per far apparire la finestra "Attributi immagine". Fare clic su  per selezionare un'immagine e quindi fare clic su  per confermare importazione di immagini.



Figure 1



Immagine 6



Immagine 7

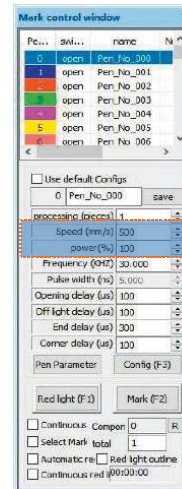


Figure8

- 2.Regola l'immagine alle dimensioni adeguate;
- 3.Selezionare "Inversione, "Scala di grigi" e "DPI fisso" (inserire il parametro 500 per X e Y) e "Prese" nella finestra Impostazioni immagine,
- 4.Seleziona "Scansione bidirezionale" nella finestra "Mark Configs" e inserisci 0.4 in "Tempo di punteggiatura";

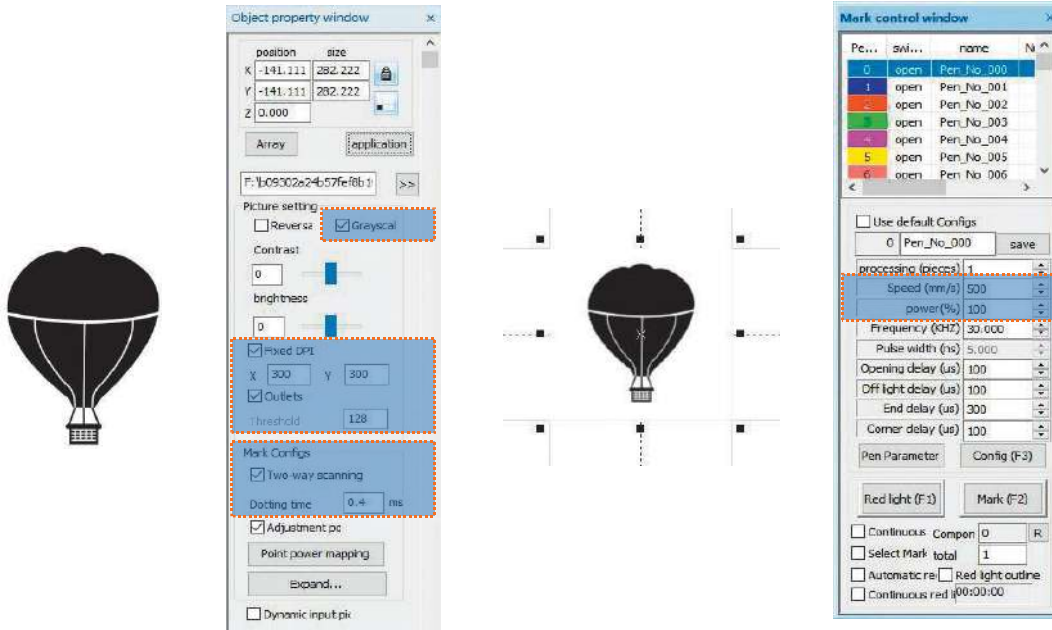
5In "Mark Configs", selezionare per accedere Interfaccia "Espandi...", seleziona "Incremento scansione bitmap"

6. Impostazione dei parametri di intaglio. Imposta "velocità (mm/s)" su 500 e "potenza (%)" su 100.

Figure 5

Note: L'intaglio di un ritratto/una foto colorata su vernice e su metallo con vernice da forno/metallo galvanico con vernice ossidata può produrre gli effetti migliori.

# Parte 15: elaborazione delle immagini (bitmap ordinaria)



Regola l'immagine alla dimensione corretta;

Seleziona "Scala di grigi" e "DPI fisso" (inserisci il parametro 300 per X e Y) e "Prese" nella finestra Impostazioni immagine;

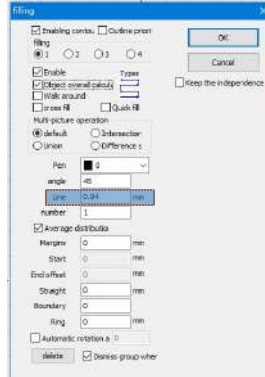
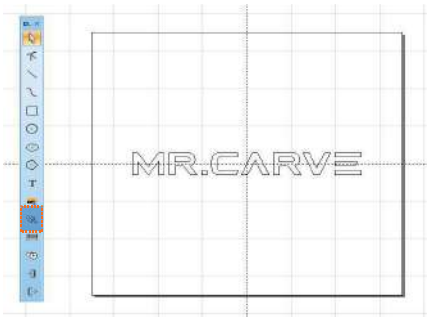
Seleziona "Scansione bidirezionale" nella finestra "Mark Configs" e inserisci 0,4 in "Tempo di punteggiatura";


Impostazione dei parametri di intaglio. Impostare "velocità (mm/s)" su 500 e "potenza (%)" su 100.

Note: L'intaglio su metallo di colore primario, vernice e vernice da forno, superficie di vernice ossidata, metallo galvanico, plastica, pelle e altri materiali di verniciatura forniscono gli effetti migliori.



# Parte 16: Controllo dei contrassegni

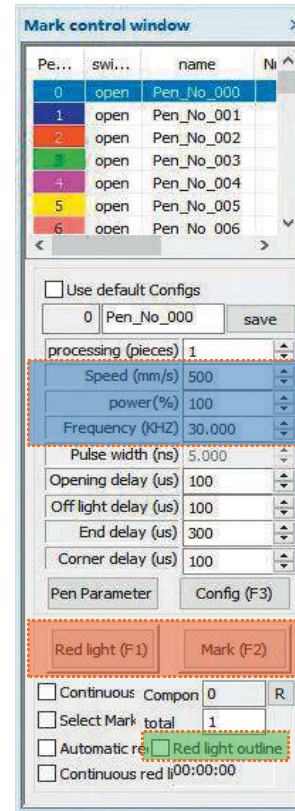


1. Clic  importare file vettoriali nei formati PLT, DWG e AI;

2. I file vettoriali importati devono essere riempiti prima dell'intaglio. Non è necessario impostare altri parametri per il riempimento dei file vettoriali. Bisogna cambiare solo la "linea". Il valore predefinito è 0,04



Note: "Linea" è la densità di riempimento del testo. Maggiore è il valore, maggiore è la velocità di intaglio, più chiaro è il colore di intaglio; minore è il valore, minore è la velocità di intaglio, più profondo è il colore di intaglio; L'intaglio su metallo di colore primario, vernice e vernice da forno, superficie verniciata ossidata, metallo galvanizzato, plastica, pelle e altri materiali vernicianti forniscono gli effetti migliori.



Velocità di regolazione dei parametri consigliati (mm/s): 500 potenza (%): 100 Frequenza (KHZ): 30

Luce rossa (F1): visualizza in anteprima la posizione corrente dell'intaglio, modalità di anteprima rettangolare con luce rossa Mark (F2): inizia l'intaglio

L'opzione è selezionata per essere impostata come modalità di anteprima del contorno.



## Parte 17: Riferimenti sui parametri di intaglio per diversi materiali

Immagine, testo e file vettoriale			
Materiale	Interlinea	Energia	Velocità
Metallo	0.01 or 0.005 or 0.001	100	300 or 500
Verniciare la superficie del metallo	0.005 or 0.001	100	500
Plastica	0.05	100	1000 or 1500
Pelle	0.005 or 0.001	100	1000 or 1500
Calcolo	0.01	100	500
Verniciare la superficie del vetro	0.05	100	500
Materiale della superficie verniciata	0.05	100	1000 or 1500

Immagine in bianco e nero (bitmap ordinaria)			
Materiale	Impostazioni immagine	Energia	Velocità
Metallo	Scala di grigi (selezionato) DPI fisso (x300 y300) Punto del reticolo (selezionato) Scansione bidirezionale (selezionato) Tempo di punteggiatura (0,4~0,5 ms) Potenza del punto di regolazione (selezionato)	100	200
Verniciare la superficie del metallo		100	300
Plastica		100	500
Pelle		100	500
Calcolo		100	200
Materiale della superficie verniciata		100	500

Immagine a colori (orizzontale e verticale)			
Verniciare la superficie del metallo	Inversione (selezionato) Scala di grigi (selezionato) DPI fisso (x500 y500) Punto reticolo (selezionato) Scansione bidirezionale (selezionato) Tempo di punteggiatura (0,4~0,5 ms) Potenza del punto di regolazione (selezionato)	100	500
Metallo elettrolitico			
Metallo ossidato			
ABS			

# FAQ

## I. La macchina non risponde quando è accesa.

1. Guasto alla connessione elettrica: controllare la presa, l'interruttore e la presa sul corpo macchina per assicurarsi che siano stati correttamente collegati e collegati all'alimentazione; controllare il pulsante di accensione sul pannello per assicurarsi che sia premuto e che la spia del pulsante sia accesa.

## II. Impossibile connettersi al computer

1. Non collegato al cavo USB: controllare l'interfaccia tra computer e macchina del cavo USB per assicurarsi che sia collegato correttamente. L'interfaccia USB sul pannello frontale di alcuni computer desktop non è valida, quindi deve essere collegata alla presa sul retro dell'host.
2. Il driver non è installato correttamente: installare il driver secondo le istruzioni. Se il computer identifica il dispositivo come porta seriale dopo l'installazione, la connessione hardware è corretta.
3. Altri casi particolari: scollegare il cavo USB e l'alimentazione. Dopo che l'apparecchiatura è stata completamente spenta per 5 secondi, collegarla nuovamente all'alimentazione.

## III. Intaglio leggero o senza intaglio

1. Messa a fuoco imprecisa: leggere la sezione sulla messa a fuoco del Manuale operativo per una messa a fuoco accurata.
2. Velocità di intaglio: risultato di una velocità troppo elevata o di un tempo di combustione troppo breve. Leggere la sezione relativa ai parametri di intaglio del Manuale delle operazioni per regolare nuovamente i parametri.
3. Immagine poco profonda: l'immagine importata deve essere chiara. Se le linee sono troppo sottili e il colore è troppo chiaro, l'effetto dell'intaglio verrà influenzato direttamente.
4. Posizionamento dell'oggetto: poiché la distanza focale del laser è fissa, l'oggetto da scolpire deve essere piatto, parallelo al corpo macchina. Se l'oggetto da intagliare è intitolato, la distanza focale non è precisa, con conseguente effetto di intaglio anomalo.



## Assistenza clienti:

➤ Per una politica di garanzia dettagliata, visitare il nostro sito Web ufficiale all'indirizzo: [www.atomstack.net](http://www.atomstack.net)

➤ Per supporto tecnico e assistenza, inviare un'e-mail a: [support@atomstack.net](mailto:support@atomstack.net)

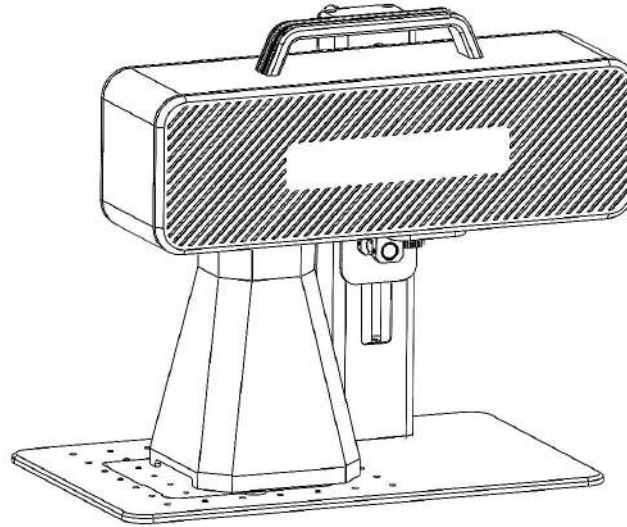
**Manufacturer:** Shenzhen AtomStack Technologies Co., Ltd.  
Indirizzo: 202, edificio 1, parco tecnologico Mingliang, strada nord 88 Z Huguang, via tao yuan, distretto di Anshan, S molto reale, edificio G del piano GU, Cina

Scansiona il codice per entrare nel gruppo di discussione.



APPLICAZIONE dello scanner:  
Letttore di codici QR/scanner di  
codici a barre o qualsiasi APP con  
scanner.

# Máquina de marcado láser ATOMSTACK M4



- English
- Deutsch
- Français
- Italiano
- Español

F03-0078-0AA1 Version: A

Nota: La imagen es sólo de referencia, prevalecerá el producto real.

Para obtener más información, escanee el código QR.



Laser Marking Machine

# Parte 1: Declaración de seguridad antes de la instalación

**Antes de utilizar la máquina de marcado láser, lea atentamente esta guía de seguridad, menciona situaciones que requieren atención especial e incluye advertencias de prácticas inseguras que pueden causar daños a su propiedad o incluso poner en peligro su seguridad personal.**

- 1.** El producto pertenece a los productos láser de Clase 4, el sistema láser en sí debe cumplir con los requisitos de la última versión de IEC 60825-1; de lo contrario, está prohibido el uso del producto.
- 2.** Al manipular el producto, debe usar gafas adecuadas (OD5+) para proteger los ojos de la luz láser, incluida la luz reflejada y dispersa.
- 3.** Debido a que el corte quema el sustrato, un rayo láser de alta intensidad genera temperaturas extremadamente altas y mucho calor. Ciertos materiales pueden inflamarse durante el corte, generando gases y humos dentro del equipo. Aquí suele aparecer una pequeña llama cuando un rayo láser incide sobre el material. Se moverá con el láser y no permanecerá encendido cuando pase el láser. No deje la máquina desatendida durante el proceso de marcado. Después del uso, asegúrese de limpiar los escombros, los escombros y los materiales inflamables en la máquina marcadora. Mantenga siempre un extintor de incendios disponible cerca para garantizar la seguridad. Cuando se utilizan máquinas de marcado láser, a partir del material se produce humo, vapor, partículas y materiales potencialmente altamente tóxicos (plásticos y otros materiales combustibles). Estos humos o contaminantes del aire pueden ser peligrosos para la salud.
- 4.** Para evitar desastres accidentales como incendios y descargas eléctricas, la máquina marcadora proporciona un adaptador de corriente con un cable a tierra. Cuando utilice la máquina de marcado, inserte el enchufe en una toma de corriente con un cable a tierra.
- 5.** Cuando la máquina de marcado esté funcionando, asegúrese de que el lugar de trabajo esté limpio y que no haya materiales inflamables ni explosivos alrededor del equipo.

## Parte 2: Descargo de responsabilidad y advertencia

Este producto no es un juguete y no es apto para menores de 15 años.

Este producto es un dispositivo láser. Escanee el código QR en la portada para obtener el "Manual de usuario" completo y las instrucciones y advertencias más recientes. Toda la información de este material ha sido revisada cuidadosamente, si hay algún error tipográfico o malentendidos en el contenido, por favor contáctenos. Las mejoras técnicas (si las hay) del producto se agregarán al nuevo Manual sin previo aviso. La apariencia y el color del producto están sujetos a cambios.

Asegúrese de leer este documento detenidamente antes de utilizar el producto para comprender sus derechos legales, responsabilidades e instrucciones de seguridad; De lo contrario, puede provocar pérdidas de propiedad, accidentes de seguridad y peligros ocultos para la seguridad personal. Una vez que utilice este producto, se considerará que ha comprendido y aceptado todos los términos y contenidos de este documento. El usuario se compromete a ser responsable de sus actos y de todas las consecuencias que de ellos se deriven. El usuario acepta utilizar el Producto solo para fines legítimos y acepta todos los términos y contenidos de este documento y cualquier política o pauta relevante que AtomStack pueda establecer.

Usted comprende y acepta que es posible que Atomstack no pueda brindarle daños o daños por accidente a menos que proporcione los archivos de marcado originales, los parámetros de configuración del software de marcado utilizado, la información del sistema operativo, los videos del proceso de marcado y los pasos operativos antes de la ocurrencia del problema o falla. razones y para brindarle el servicio postventa de Atomstack.

Atomstack no es responsable de ninguna y todas las pérdidas que surjan de la falta de uso del producto por parte del usuario de acuerdo con este manual. Sin la guía del personal técnico de la empresa, los usuarios tienen prohibido desmontar la máquina por sí mismos. Si se produjera esta conducta, la pérdida causada por el usuario será asumida por el usuario.

Atomstack tiene el derecho final de interpretar el documento, sujeto al cumplimiento legal. Atomstack se reserva el derecho de actualizar, modificar o rescindir los Términos sin previo aviso.

## Parte 3: Parámetros del producto

### Parámetros detallados de la máquina M4

Potencia del láser	5W
Temperatura ambiente	0°C~35°C
Precisión de repetición	<0.0001 mm
Profundidad de marcado	0.015-0.2mm
Precisión de marcado	M0.001mm
Velocidad de marcado	<12m/s
Método de enfriamiento	Build-in fan
Longitud de onda	1064nm
Rango de marcado	70*70mm
Ancho de marcado	0.001-0.05mm
Peso del Producto	6.77kg
Dimensiones del producto	315mm* 200mm* 273mm (L*W*H)



## Parte 4: Lista de configuración



Cable USB



Unidad USB



Cable de alimentación



Adaptador de corriente



Gobernante



Placa de posicionamiento



Gafas de protección



Manual



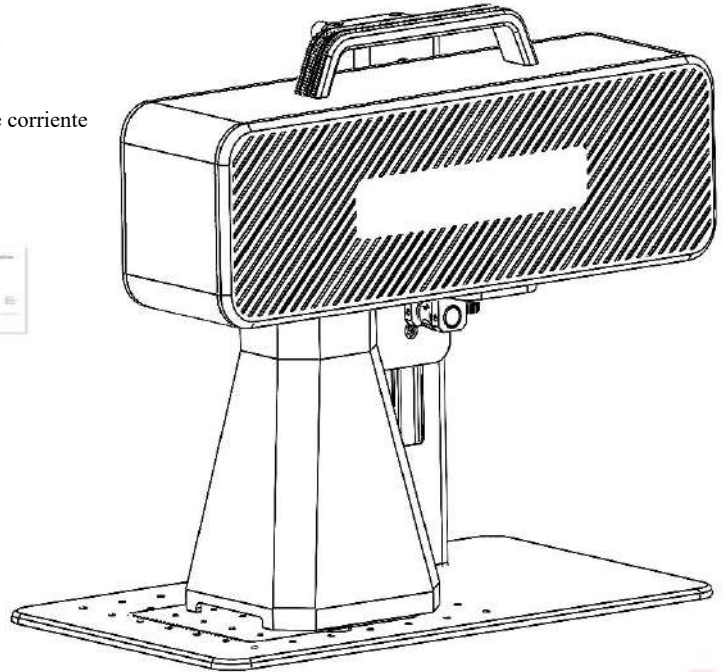
Llave hexagonal



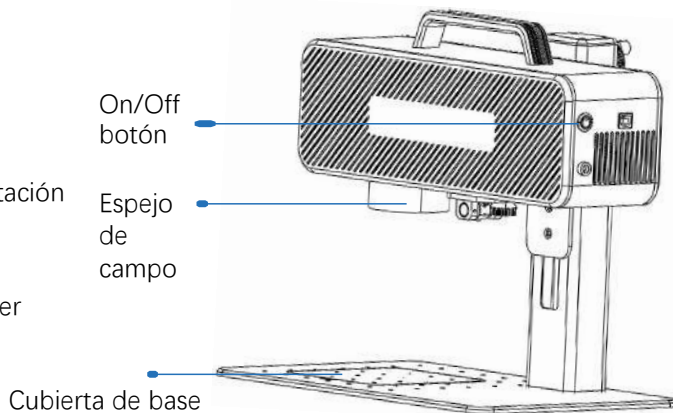
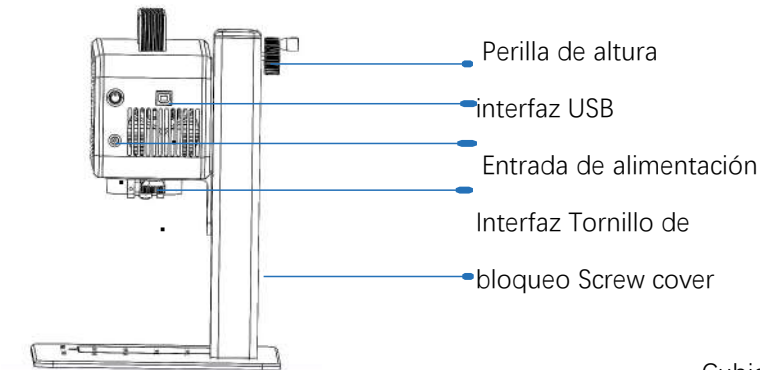
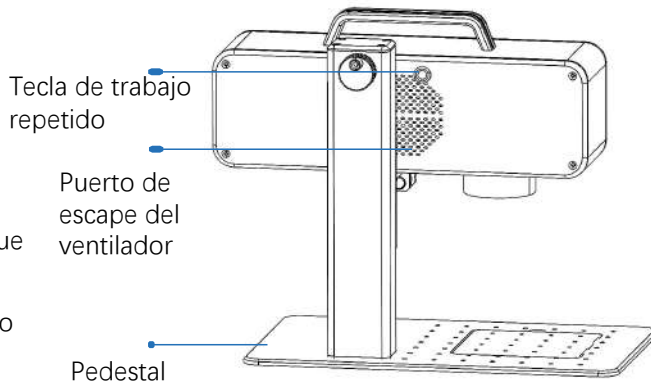
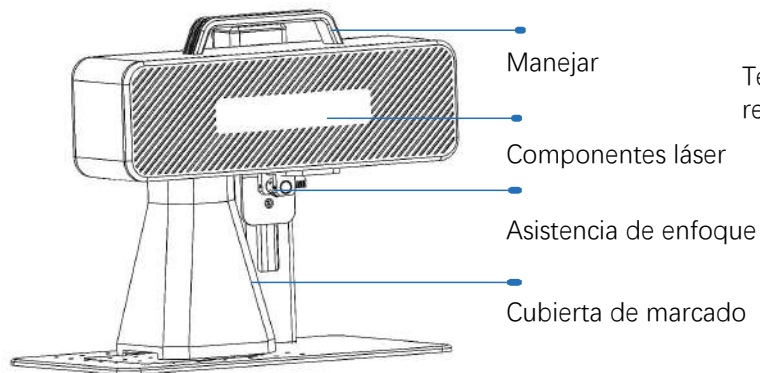
papel de calibración



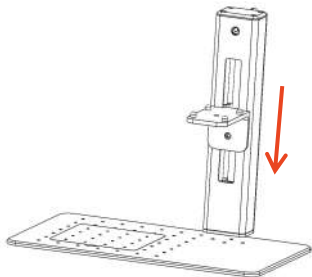
Película de enfoque



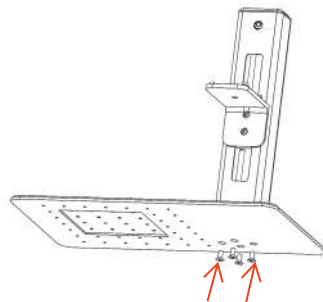
## Parte 5: Introducción a la estructura del producto



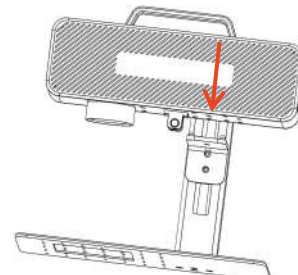
## Parte 6: Introducción al método de ensamblaje del modo de trabajo de escritorio.



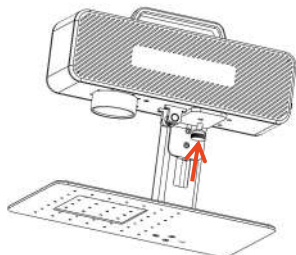
**Paso 1:** Prepare el brazo de soporte y alinee los orificios de montaje en la base.



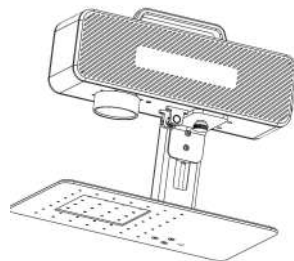
**Paso 2:** instale 4 tornillos



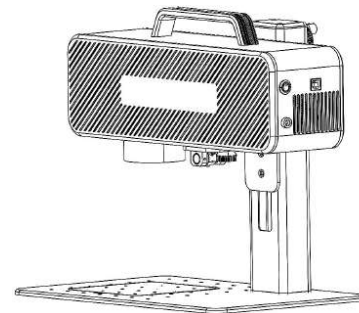
**Paso 3:** instale el conjunto del láser



**Paso 4:** Instale el tornillo de bloqueo del conjunto del láser.

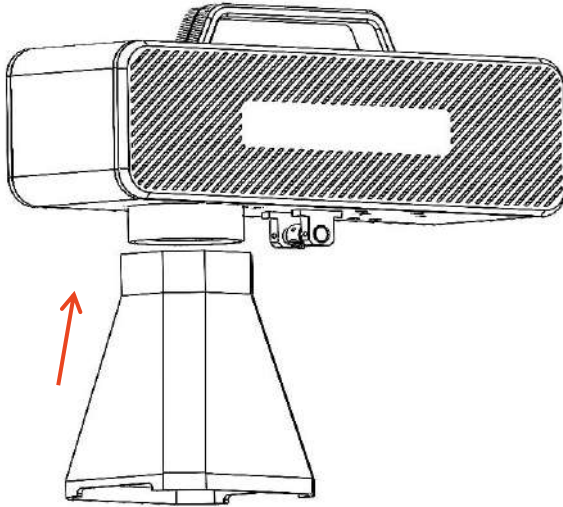


**Paso 5:** apriete los tornillos del conjunto del láser.

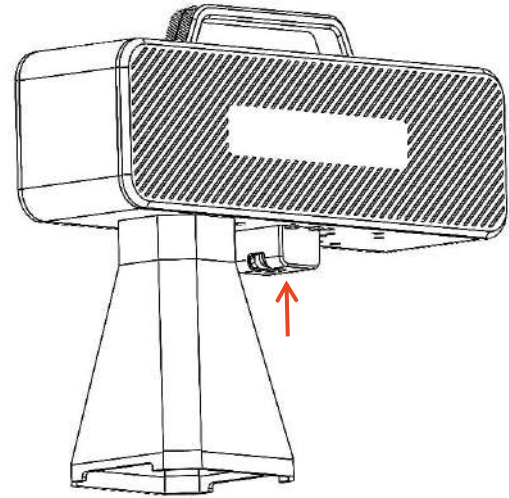


**Paso 6:** el montaje está completo.

## Parte 7: Introducción al método de montaje del modo de trabajo manual.

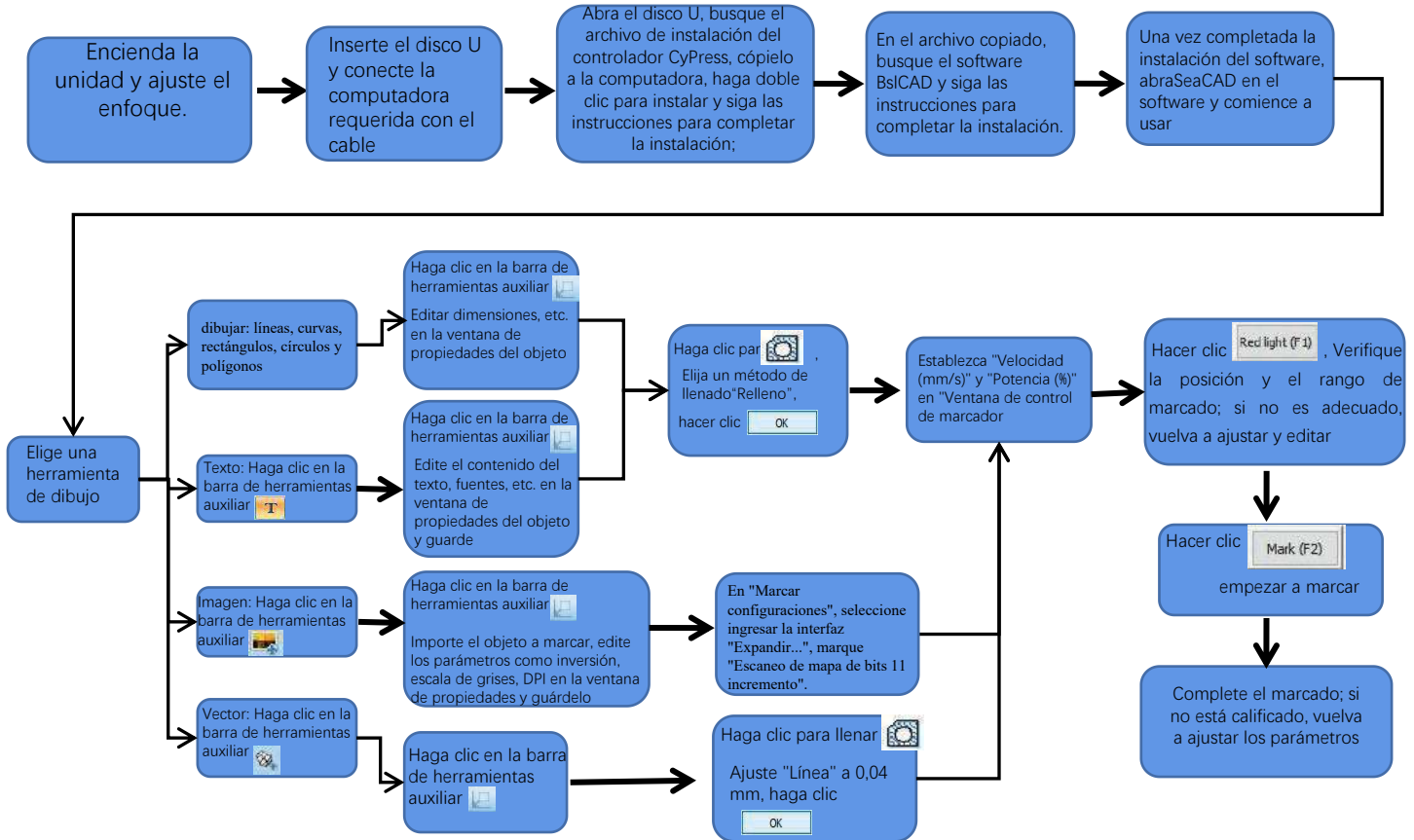


**Paso 1:** instale la cubierta de marcado



**Paso 2:** Instalación de la cubierta protectora de asistencia de enfoque

## Parte 8: Procedimientos operativos comunes del software.

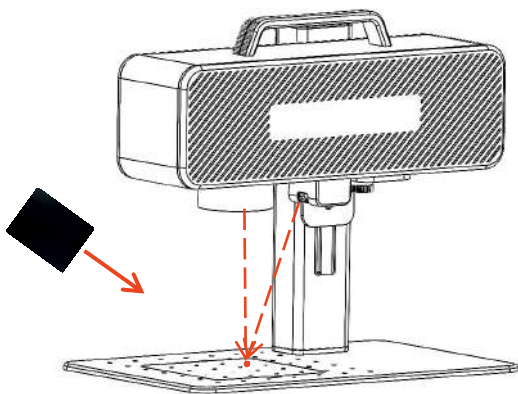


## Parte 9: Introducción al método de enfoque de producto

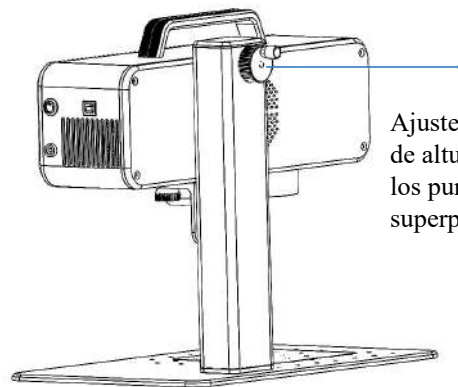
1. Coloque el papel de prueba de marcado, encienda el interruptor de encendido de la máquina y ajuste la perilla de ajuste de altura para que los dos puntos de luz rojos se superpongan en un punto de luz, es decir, se complete la depuración del enfoque. De lo contrario, continúe ajustando.

Nota: Si los dos puntos de luz no se superponen, el efecto de marcado se verá afectado cuando la desviación sea pequeña y la máquina de marcado no podrá funcionar cuando la desviación sea grande;

2. Hay una regla equipada con esta máquina para medir la distancia entre el cabezal láser y el objeto grabado para ajustar el enfoque. La distancia entre los dos es de 130 mm, debido a que puede haber errores en el ensamblaje, consulte la medida real para obtener más detalles.



Coloque la película de enfoque en el lugar donde se concentra el punto de luz y ajuste la perilla de altura para que los puntos de luz se superpongan.



Ajuste la perilla de altura para que los puntos se superpongan.

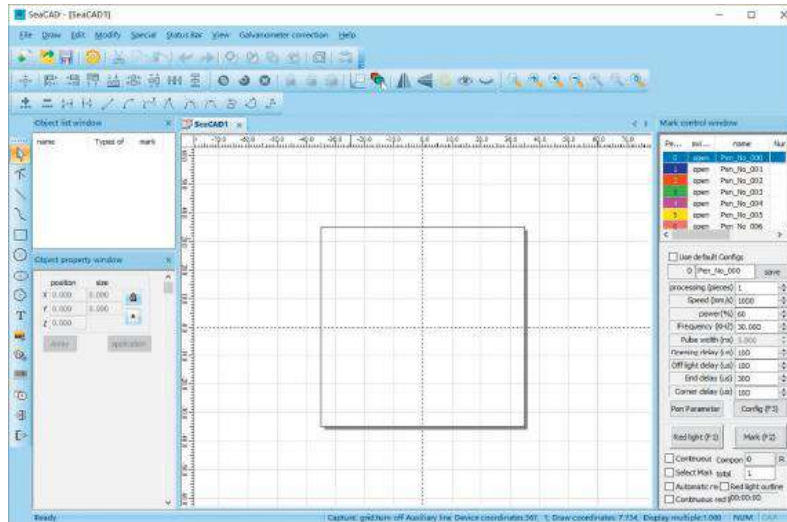
# Parte 10: Adquisición e instalación de software

## Método I:

1. Encienda la máquina de marcado y utilice el cable de datos para conectar la computadora donde se debe instalar el software de marcado;
2. Abra el disco U adjunto en la computadora, extraiga el archivo "software de grabado BSL" al escritorio de la computadora, abra la carpeta descomprimida y envíe "ATOMSTACK" al acceso directo del escritorio;
3. Instale el archivo del controlador "Drive\win7\win8\win10-x64.exe" en el disco U. Después de una instalación exitosa, haga doble clic en el acceso directo del escritorio
4. "ATOMSTACK" para iniciar el software de grabado.

## Método II:

En caso de que se pierda el disco U adjunto o que el software se elimine por error, los usuarios pueden iniciar sesión en el sitio web oficial [www.atomstack.net](http://www.atomstack.net) para obtener el software. Los pasos de instalación son los mismos que el método.



Página abierta del software

# Parte 11: Descripción de las funciones del software.



Barra de herramientas del sistema



Alinear barra de herramientas



Barra de estado



Barra de herramientas de accesibilidad



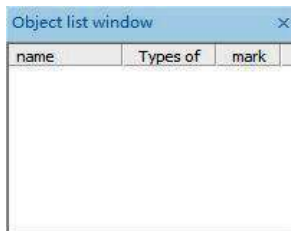
Barra de edición de nodos



Barra de herramientas de zoom



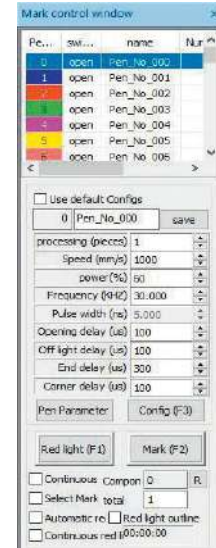
Dibujar barra de herramientas



Ventana de lista de objetos



Ventana de propiedades del objeto



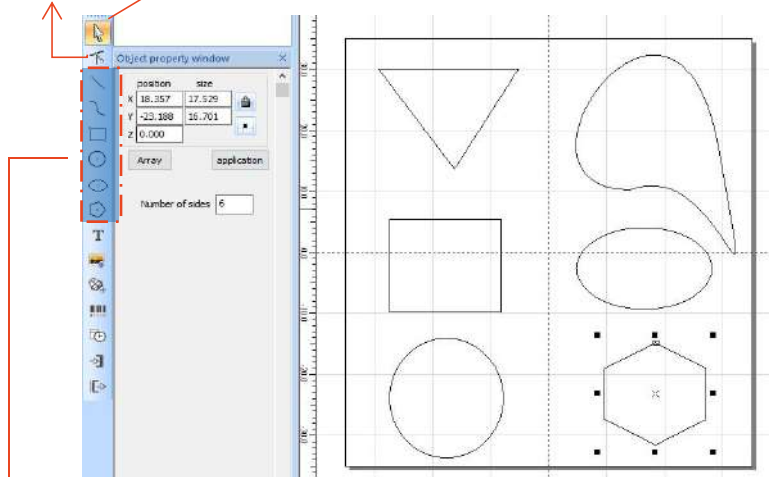
Ventana de control de marcas



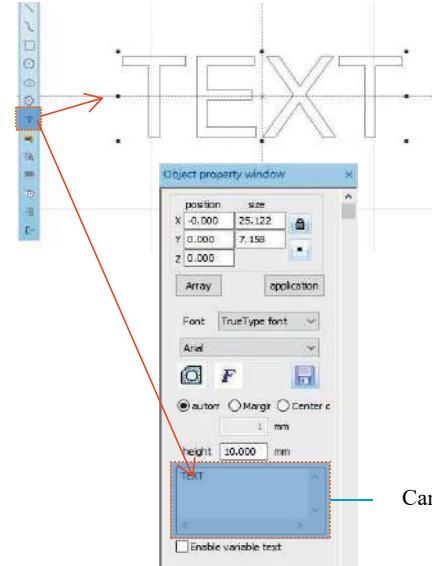
# Parte 12: Descripción del dibujo de formas de funciones comunes

Herramienta redonda


Herramienta de selección




De arriba a abajo, se utilizan para dibujar: líneas, curvas, rectángulos, círculos y polígonos.



Campo de texto

1. Haga clic  y el "TEXTO" aparece de forma predeterminada.

Ingrese las palabras en el campo de texto y haga clic en 

entrada de texto completa de la aplicación.



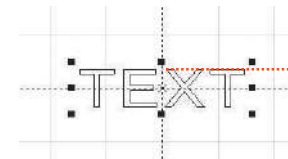
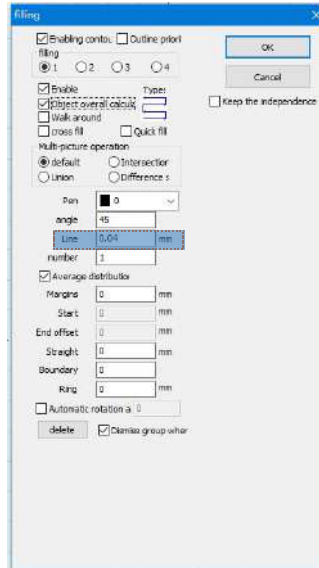
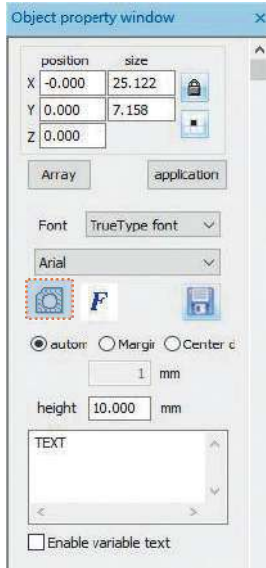
Se debe rellenar el texto para trabajar sobre el objeto a tallar.



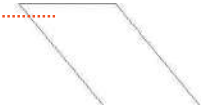
Una herramienta de texto para establecer la alineación, el

espaciado entre caracteres, el texto del arco, el ángulo y otros.

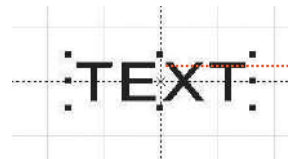
# Parte 13: Dibujo de texto



Antes de llenar




Ampliación de la no presentación



Después del llenado



Ampliación del relleno

1. Hacer clic  para abrir la ventana Configuración de llenado;

2. No es necesario configurar otros parámetros para el tallado de texto. Sólo es necesario cambiar la "línea". El valor predeterminado es 0,04.

Notas: "Línea" es la densidad del relleno del texto. Cuanto mayor sea el valor, mayor será la velocidad de tallado y más claro será el color de tallado; cuanto menor sea el valor, menor será la velocidad de tallado, más profundo será el color de tallado;

El tallado en metal de color primario, pintura y pintura para hornear, superficies de pintura oxidada, metal galvanizado, plástico, cuero y otros materiales de pintura proporcionan los mejores efectos.

# Parte 14: Procesamiento de imágenes (retrato/foto en color)

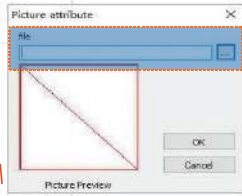


Figura 2

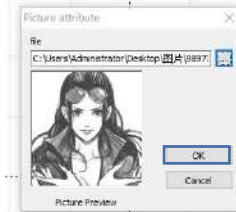


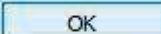


Imagen 3



Figura 4

1. Hacer clic  para que aparezca la ventana "Atributo de imagen". Haga clic en  para seleccionar una imagen y luego haga clic  para confirmar la importación de la imagen.

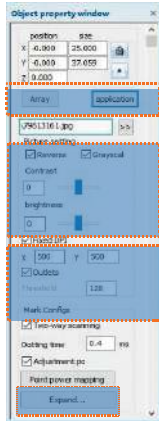


Figura 1

Figura 5



Imagen 6

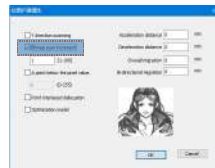


Figura 7

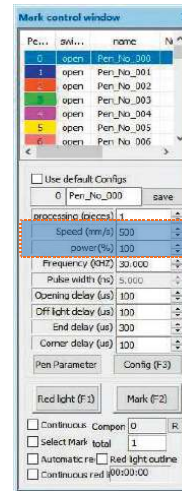


Figura 8

2. Ajuste la imagen al tamaño adecuado;  
 3. Marque "Inversión", "Escala de grises" y "DPI fijo" (ingrese el parámetro 500 para X e Y) y "Salidas" en la ventana Configuración de imagen.  
 4. Marque "Escanee bidireccional" en la ventana "Marcar configuraciones" e ingrese 0,4 en "Tiempo de punteado";

5. En "Marcar configuraciones", seleccione para ingresar "Expandir..." interfaz, marque "Incremento de escaneo de mapa de bits"

6. Configuración de parámetros de tallado. Establezca "velocidad(mm/s)" como 500 y "potencia(%)" como 100.

# Parte 15: Procesamiento de imágenes (mapa de bits ordinario)

The image displays three components of a software interface for image processing and marking:

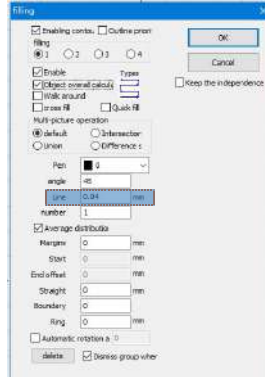
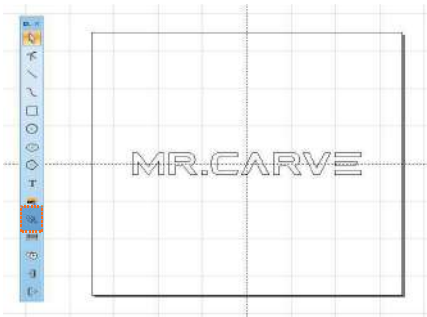
- Object property window:** Shows the position and size of the object (a hot air balloon). The 'Picture setting' section includes 'Revers' (unchecked) and 'Grayscale' (checked). The 'Fixed DPI' section shows X and Y values set to 300 and a threshold of 128. The 'Mark Configs' section includes 'Two way scanning' (checked), 'Doting time' set to 0.4 ms, and 'Adjustment:pc' (checked).
- Image:** A black and white silhouette of a hot air balloon, centered on a white background with a grid.
- Mark control window:** Shows a list of pen configurations. The 'processing (pieces)' section is highlighted, showing 'Speed (mm/s)' set to 500 and 'power (%)' set to 100. The 'Pen Parameter' section shows 'Contig (F2)' selected.


Ajuste la imagen a un tamaño adecuado;

Marque "Escala de grises" y "DPI fijo" (ingrese el parámetro 300 para X e Y) y "Salidas" en la ventana Configuración de imagen;  
Marque "Escaneo bidireccional" en la ventana "Marcar configuraciones" e ingrese 0,4 en "Tiempo de punteo";  
Configuración de parámetros de tallado. Establezca "velocidad (mm/s)" en 500 y "potencia (%)" en 100.

Notas: Tallar sobre metal de color primario, pintura y pintura para hornear, superficies de pintura oxidada, metal galvanizado, plástico, cuero y otros materiales de pintura proporcionan los mejores efectos.

# Parte 16: Control de marcas



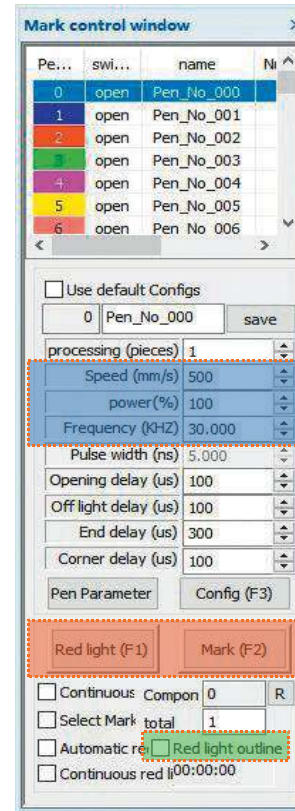
1. Hacer clic  importar archivos vectoriales en los formatos PLT, DWG y AI;

2. Los archivos vectoriales importados deben completarse antes de tallarlos. No es necesario establecer otros parámetros para el llenado de archivos vectoriales. Sólo es necesario cambiar la "línea". El valor predeterminado es 0,04



Notas: "Línea" es la densidad de relleno del texto. Cuanto mayor sea el valor, mayor será la velocidad de tallado, más claro será el color de tallado; cuanto menor sea el valor, menor será la velocidad de tallado, más profundo será el color de tallado;

El tallado en metal de color primario, pintura y pintura para hornear, superficies de pintura oxidada, metal galvanizado, plástico, cuero y otros materiales de pintura proporcionan los mejores efectos.



Velocidad de ajuste de parámetros recomendada (mm/s): 500 Potencia (%): 100 Frecuencia (KHZ): 30

Luz roja (F1): vista previa de la posición de tallado actual, modo de vista previa rectangular de luz roja Marca (F2): comenzar a tallar

La opción está marcada para establecerse como modo de vista previa del contorno.

## Parte 17: Referencias de parámetros de tallado para diferentes materiales

Archivo de imagen, texto y vector			
Material	Espaciado entre líneas	Fuerza	Velocidad
Metal	0.01 or 0.005 or 0.001	100	300 or 500
Pintura de superficie de metal	0.005 or 0.001	100	500
Plástico	0.05	100	1000 or 1500
Cuero	0.005 or 0.001	100	1000 or 1500
Piedra	0.01	100	500
Pintura de superficie de vidrio	0.05	100	500
Material de la superficie de la pintura	0.05	100	1000 or 1500

Imagen en blanco y negro (mapa de bits normal)			
Material	Configuración de imagen	Fuerza	Velocidad
Metal	Escala de grises (marcada) DPI fijos (x300 y300) Punto de celosía (comprobado) Escaneo bidireccional (marcado) Tiempo de punteado (0,4 ~ 0,5 ms) Potencia del punto de ajuste (marcado)	100	200
Pintura de superficie de metal		100	300
Plástico		100	500
Cuero		100	500
Piedra		100	200
Material de la superficie de la pintura		100	500

Imagen en color (paisaje y retrato)			
Pintura de superficie de metal	Reversión (marcada) Escala de grises (marcada) DPI fijos (x500 y500) Punto de celosía (marcado) Escaneo bidireccional (comprobado) Tiempo de punteado (0,4 ~ 0,5 ms) Potencia del punto de ajuste (comprobado)	100	500
Metal galvanizado			
Metal oxidado			
ABS			

# FAQ

## I. I. La máquina no responde cuando se enciende.

1. Fallo en la conexión eléctrica: verifique el enchufe, el interruptor y el enchufe en el cuerpo de la máquina para asegurarse de que hayan sido enchufados y conectados correctamente a la corriente; verifique el botón de Encendido en el panel para asegurarse de que esté presionado y que la luz del botón esté encendida.

## II. No se puede conectar a la computadora

1. No conectado al cable USB: verifique la interfaz entre la computadora y la máquina del cable USB para asegurarse de que esté conectado correctamente. La interfaz USB en el panel frontal de algunas computadoras de escritorio no es válida, por lo que debe conectarse al enchufe en la parte posterior del host.
2. El controlador no está instalado correctamente: instale el controlador según las instrucciones. Si la computadora identifica el dispositivo como un puerto serie después de la instalación, la conexión del hardware está bien.
3. Otros casos especiales: desconectar el cable USB y la fuente de alimentación. Luego de que el equipo esté completamente apagado durante 5 segundos, conéctelo nuevamente a la corriente.

## III. Tallado ligero o sin tallar

1. Enfoque inexacto: lea la sección de enfoque del Manual de operaciones para obtener un enfoque preciso.
2. Velocidad de tallado: resultado de una velocidad demasiado alta o un tiempo de combustión demasiado corto. Lea la sección de parámetros de tallado del Manual de operaciones para reajustar los parámetros.
3. Imagen poco profunda: la imagen importada debe ser clara. Si las líneas son demasiado finas y el color es demasiado claro, el efecto de tallado se verá afectado directamente.
4. Colocación del objeto: como la distancia focal del láser es fija, el objeto a tallar debe ser plano, paralelo al cuerpo de la máquina. Si el objeto a tallar tiene un título, la distancia focal será inexacta, lo que dará como resultado un efecto de tallado anormal.





## Servicio al Cliente:

➤ Para conocer la política de garantía detallada, visite nuestro sitio web oficial en: [www.atomstack.net](http://www.atomstack.net)

➤ Para soporte técnico y servicio, envíe un correo electrónico a: [support@atomstack.net](mailto:support@atomstack.net)

**Manufacturer:** Shenzhen AtomStack Technologies Co., Ltd.  
Dirección: 202, edificio 1, parque tecnológico Mingliang, nº 88 Z Huguang North Road, calle Tao Yuan, n distrito de Anshan, S muy real, edificio G del plan GU, China

Escanee el código para ingresar al grupo de discusión.



APLICACIÓN del escáner:

Lector de códigos QR/Escáner de códigos de barras o cualquier APP con escáner.